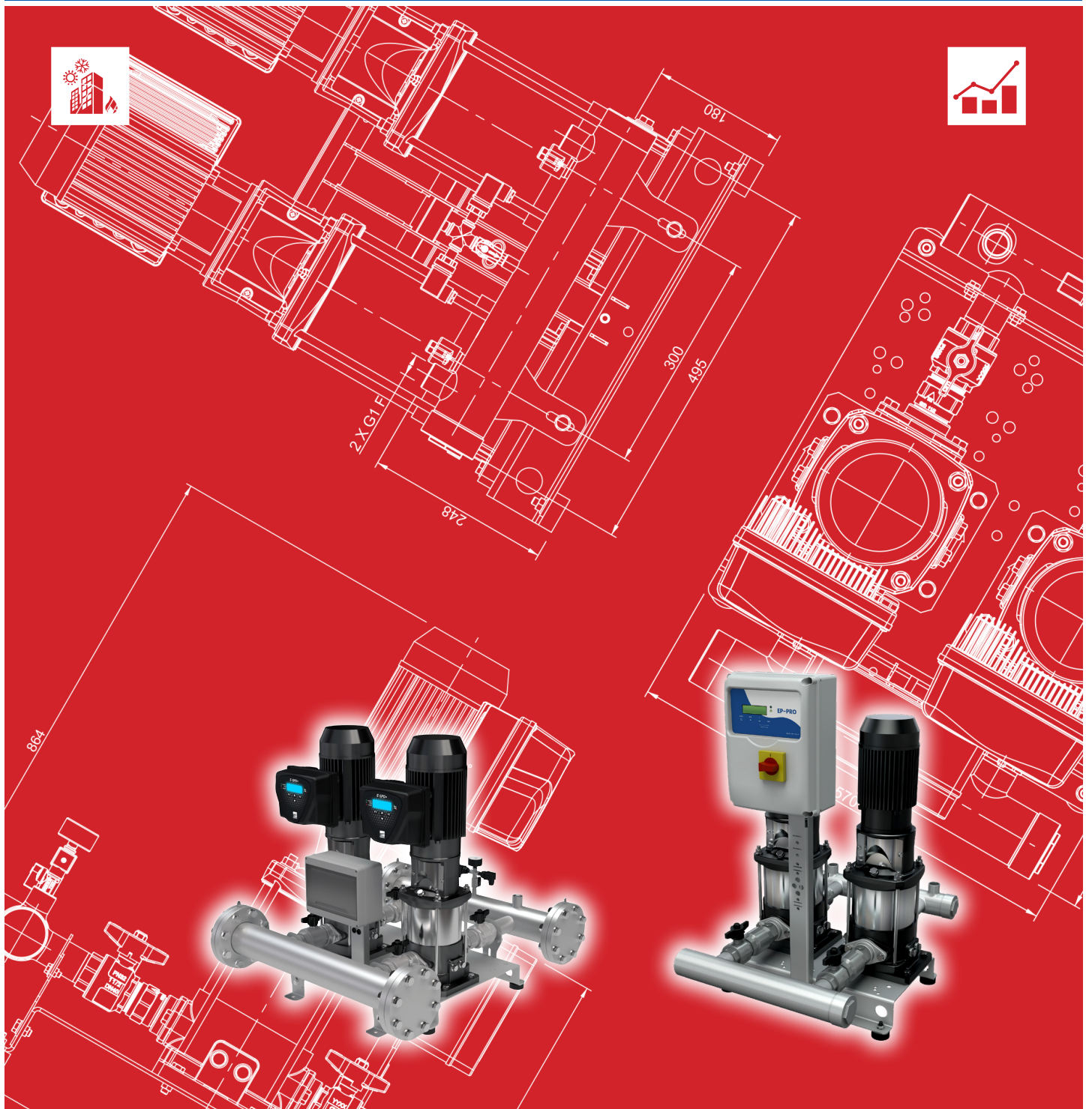


Looking ahead,
going beyond expectations
Ahead > Beyond



GP - GPE EVMSG

Data Book 50Hz



INDEX

	Page
INDEX	2
DEFINITION AND USE OF PRESSURISATION UNITS	101
TYPICAL APPLICATIONS	101
OPERATING CONDITIONS	101
TESTS AND TRIALS	101
MECHANICAL AND HYDRAULIC TESTS	101
ELECTRICAL TESTS	102
PRINCIPLE OF OPERATION OF GP PRESSURISATION UNITS	102
Principle of Operation of GPE Pressurisation UNITS with E-SPD+	102
Principle of Operation of GPE Pressurisation UNITS with an EFC control panel	102
Principle of Operation of GPE Pressurisation UNITS with an MFC control panel	103
Fig. 1 - TWO PUMP UNIT WITH CONSTANT PRESSURE REGULATION	104
GP PRESSURISATION UNIT WATER CIRCUIT DIAGRAM	104
GPE PRESSURISATION UNIT WATER CIRCUIT DIAGRAM	105
TYPE KEY	106
NAME PLATE	106
PRODUCT SPECIFICATIONS	201
HYDRAULIC COMPONENTS AND CONTROL	201
ELECTRIC PANEL	202
TECHNICAL PUMP DATA	203
EVMS(.) 3-5-10-15-20	203
EVMS(.) 32-45	204
TECHNICAL MOTOR DATA	205
ETM MOTOR	205
OTHER MOTOR	205
PERFORMANCE RANGE	301
RESEAU BOOSTER SET 2GP(.) EVMS(.) 3-5-10-15-20	301
RESEAU BOOSTER SET 2GP(.) EVMS(.) 32-45	302
RESEAU BOOSTER SET 3GP(.) EVMS(.) 3-5-10-15-20	303
RESEAU BOOSTER SET 3GP(.) EVM(.) 32-45	304
CURVE SPECIFICATION	401
SELECTION CHART 2GP(.) EVMS(.) 3-5	402
SELECTION CHART 2GP(.) EVMS(.) 10-15-20	402
SELECTION CHART 2GP(.) EVMS(.) 32-45	402
SELECTION CHART 3GP(.) EVMS(.) 3-5	403
SELECTION CHART 3GP(.) EVMS(.) 10-15-20	403

SELECTION CHART 3GP(.) EVMS(.) 32-45	403
PERFORMANCE CURVE 2GP(.)	404
2GP(.) EVMS 3-7/0.75	404
2-3 GP(.) EVMS 3-8/0.75	405
2GP(.) EVMS 3-9/1.1	406
2GP(.) EVMS 3-10/1.1	407
2-3 GP(.) EVMS 3-12/1.1	408
2-3 GP(.) EVMS 5-5/1.1	409
2-3 GP(.) EVMS 5-7/1.5	410
2-3 GP(.) EVMS 5-8/2.2	411
2GP(.) EVMS 5-9/2.2	412
2-3 GP(.) EVMS 5-10/2.2	413
2-3 GP(.) EVMS 10-6/2.2	414
2-3 GP(.) EVMS 10-7/3.0	415
2-3 GP(.) EVMS 10-8/3.0	416
2-3 GP(.) EVMS 10-9/4.0	417
2-3 GP(.) EVMS 15-4/4.0	418
3GP(.) EVMS 15-5/5.5	419
2-3 GP(.) EVMS 15-6/5.5	420
2-3 GP(.) EVMS 20-3/4.0	421
2-3 GP(.) EVMS 20-4/5.5	422
2-3 GP(.) EVMS 20-6/7.5	423
2-3 GP(.) EVMSG 32 3-0/5.5	424
2-3 GP(.) EVMSG 32 4-0/7.5	425
2-3 GP(.) EVMSG 45 2-0/7.5	426
2GP CONSTRUCTION	601
EXTERNAL VIEW 2GP EVMS(.) 3-5-10-15	601
EXTERNAL VIEW 2GP EVMS(.) 20	602
EXTERNAL VIEW 2GP EVMSG 32-45	603
2GPE CONSTRUCTION	604
EXTERNAL VIEW 2GPE EVMS(.) 3-5-10-15 E-SPD+	604
EXTERNAL VIEW 2GPE EVMS(.) 20 E-SPD+	605
EXTERNAL VIEW 2GPE EVMSG 32-45 E-SPD+	606
3GP CONSTRUCTION	607
EXTERNAL VIEW 3GP EVMS(.) 3-5-10	607
EXTERNAL VIEW 3GP EVMS(.) 15-20	608
EXTERNAL VIEW 3GP EVMS(.) 32-45	609
EXTERNAL VIEW 3GPE EVMS(.) 3-5-10 E-SPD+	610
EXTERNAL VIEW 3GPE EVM(.) 15-20 E-SPD+	611
EXTERNAL VIEW 3GPE EVMS(.) 32-45 E-SPD+	612

OVERALL DIMENSIONS 2GP BOOSTER SET	613
2GP EVMS(.) 3-5-10-15	613
2GP EVMS(.) 20	614
2GP EVMS(.) 32-45	615
OVERALL DIMENSIONS 2GPE BOOSTER SET	616
2GPE EVMS(.) 3-5-10-15 E-SPD+	616
2GPE EVMS(.)20 E-SPD+	617
2GPE EVMS(.)32-45 E-SPD+	618
OVERALL DIMENSIONS 3GP BOOSTER SET	619
3GP EVMS(.) 3-5-10	619
3GP EVMS(.) 15-20	620
3GP EVMS(.) 32-45	621
OVERALL DIMENSIONS 3GPE BOOSTER SET	622
3GPE EVMS(.) 3-5-10 E-SPD+	622
3GPE EVMS(.) 15-20 E-SPD+	623
3GPE EVMS(.) 32-45 E-SPD+	624
PACKING	625
2GP(.) EVMS(.)	626
3GP(.) EVMS(.)	627
CONTROL PANEL FIXED SPEED	801
2EP-E SPECIFICATION	801
2EP SD UA SPECIFICATION	803
3EP-E SPECIFICATION	805
3EP SD UA SPECIFICATION	807
CONTROL PANEL VARIABLE SPEED	805
E-SPD+ SPECIFICATION	805
SP (EFC and MFC) SPECIFICATION	806
PROTECTION PANEL SPECIFICATION	811

DEFINITION AND USE OF PRESSURISATION UNITS

In situations in which a municipal water mains is lacking or insufficient for the proper operation of the services, one must install a pressurization unit to provide acceptable pressure and flow rates to even in the most unfavourable services. Pressurisation units are used wherever there is a need to increase the pressure, or to pressurise a water circuit. **EBARA GP pressurisation units** are automatic systems with 2 or more pumps operating in parallel, designed to provide a simple and reliable solution to the most common requirements for maintenance of water supply pressure for apartment buildings, hotels, centres, offices and schools as well as providing auxiliary service in industrial and agricultural applications. They stand out for their robust construction, compact size, excellent efficiency and silent operation. GP units are equipped for connection to membrane and air cushion autoclaves. They are controlled by pressure transmitter for EP-E and by pressure switches for EP. GPE units (with INVERTER) are controlled by pressure transmitter.

TYPICAL APPLICATIONS

INDUSTRY	BUILDING SERVICE	WATER SUPPLY
		

OPERATING CONDITIONS

EBARA GP-GPE pressurisation units can be used, in their standard versions, for civil, industrial and agricultural applications, as follows:

- building service
- water lifting and handling
- A/C
- heating
- irrigation
- washing systems

The conveyed fluid must be: clean, potable, ground or mixed water, free of solid or fibrous suspensions and aggressive chemical substances.

The units must be installed under cover, protected from the weather and freezing.

- Conveyed water temperature (depending on pumps).
- Ambient operating temperature 0 - 40°C, no higher than 1000 m above sea level.
- Max relative humidity 50% at +40°C.

NB: The system available NPSH must be greater than the NPSH demanded from the pump. For applications with different technical specifications, uses and climatic conditions (type of vector fluid, marine and aggressive industrial conditions), please contact our sales network.

TESTS AND TRIALS

Before shipping, all EBARA pressurisation units are subject to hydraulic, mechanical and electrical testing.

MECHANICAL AND HYDRAULIC TESTS

- Pressure switch calibration (only if present)
- Pump direction of rotation
- Mechanical testing of moving parts and running noise (on each pump)
- Tightness test with delivery port closed and nameplate rating tests
- MANUAL trials (using button on control panel) for each pump
- AUTOMATIC trials (using switch on control panel) for unit

ELECTRICAL TESTS

- Earthing system continuity
- Applied voltage (dielectric rigidity)
- Insulation resistance

PRINCIPLE OF OPERATION OF GP PRESSURISATION UNITS

When water is demanded, it is first drawn from the autoclave tank (if present). This demand for water, with the pumps stopped, lowers the pressure until the pressure transmitter starts the first electropump. If the output flow is greater than the delivery capacity of a single pump, the pressure continues falling until the pressure transmitter thus starting the second pump. This happens for all pumps in the unit. When the water demand stops or reduces, the system pressure rises, the pressure transmitter shutting off the pumps one by one. This is done in inverse order to that in which the motors were started up, the number of hourly starts per pump is reduced and they are all used to the same extent.

NB: By connecting a float switch or minimum pressure switch to the control panel (both for demand from the first accumulation tank and from the water circuit itself) one can prevent the most frequent cause of pump failure: dry running

Principle of Operation of GPE Pressurisation UNITS with E-SPD+

GPE units with E-SPD+ are designed to operate with each pumps controlled by an INVERTER installed on board its motor. The system is controlled by an MASTER INVERTER in relation to the reference signal supply by a pressure transmitters (4 - 20 mA passive). As the system pressure varies, the MASTER pump varies its rotary speed to restore it to the setpoint. If the water demand exceeds the capacity of the pump, the second variable speed pump cuts in and, pump goes into regulation mode to maintain the pressure setpoint; this happens for all the pumps in the unit. If the water demand drops off, the pressure tends to increase and the latest pump gradually reduces its speed to restore the correct operating pressure. This results in the regulation of the speed of the other pumps, until they gradually turn off. Once the system pressure has been restored and the water demand is 0, the MASTER pump switches off automatically.

Principle of Operation of GPE Pressurisation UNITS with an EFC control panel

EFC multiple pump control units power pump n. 1 with the INVERTER to modulate system performance in relation to the reference signal while the other pumps are run at maximum nominal speed (around 2900 rpm) and started and stopped in relation to demand.

These means there are two distinct primary electrical circuits:

- n. 1 - INVERTER startup/control of a single pump,
- n. 2 - contactor startup (direct or star/delta) of the other pumps.

The system is controlled by an electronic controller in relation to the reference signal supply by a pressure transmitter, flow meter or other unified control signal (4 - 20 mA passive).

If the electronic controller or pressure transmitter fails, a system of pressure switches controls the pumps directly (if present).

- In case of water distribution at constant pressure (Fig.1), the electronic controller is connected to the pressure transmitter on the units' delivery manifold, which outputs a signal proportional to the circuit pressure. When the pressure drops due to water demand, the pressure transmitter signal also drops and the controller starts and controls the speed of the first pump with the INVERTER to restore the reference/ operating pressure. If the pump's flow rate is lower than demand, the circuit pressure will continue to drop and the system responds by increasing the pump's speed. Once pump n. 1 reaches its maximum speed and demand is still in excess of its delivery, the controller will start pump n. 2 at maximum speed. The speed of pump n. 1 is immediately modulated so as to establish the operating pressure. If the pressure drops even further and pump n. 1 is once again running at maximum speed, the controller starts up pump n. 3, and so on for all pumps in the unit. If the water demand drops off, the pressure tends to increase and the controller reduces the speed of pump n. 1 to restore the correct operating pressure. At this point, the controller will stop one of the pumps running at maximum speed, while the speed of pump n. 1 is modulated to maintain the reference pressure. As the pressure continues to increase due to reduced demand, once the minimum speed of pump n. 1 is reached

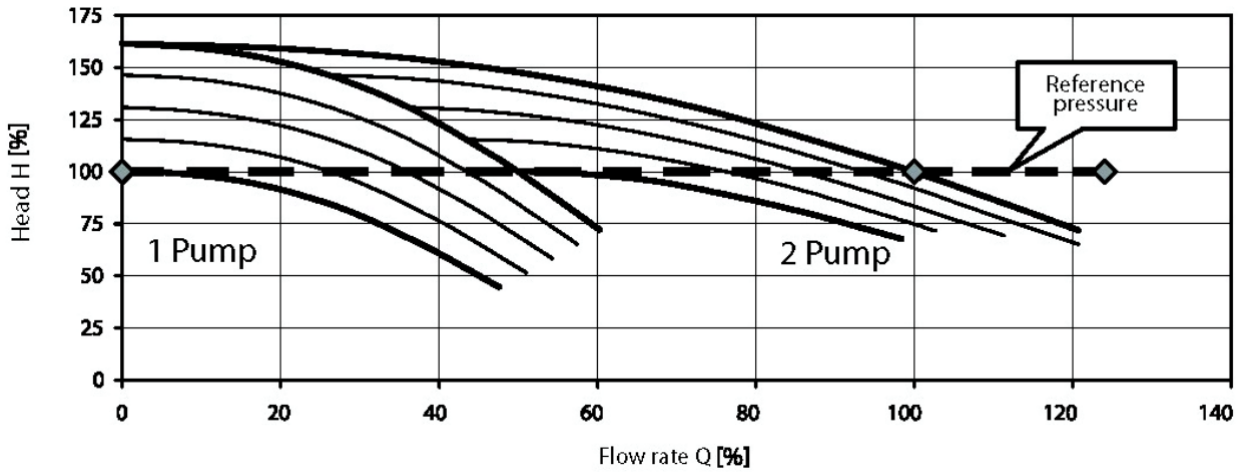
once more the controller will stop pump n. 3 and then pump n. 2. Once the demand for water has completely ceased, the controller reduces the speed of pump n. 1 to its minimum and after a set delay (around 1 minute) stops this pump too. The next time the system is started up, the INVERTER controlled pump will no longer be pump n. 1, but n. 2. The INVERTER controlled pump thus rotates through all pumps in sequence.

Principle of Operation of GPE Pressurisation UNITS with an MFC control panel

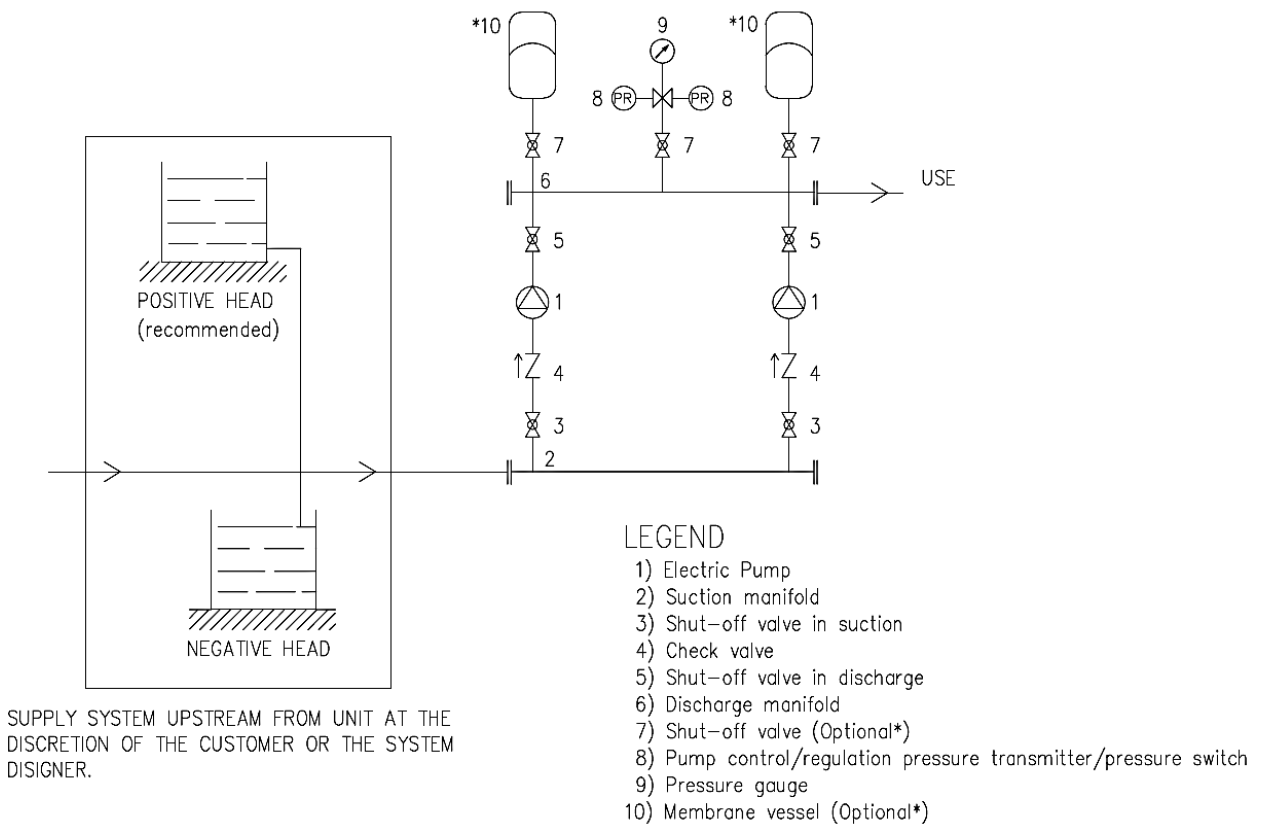
MFC multiple pump control panels power each pump with an INVERTER to modulate system performance in relation to the reference signal. MFC controllers differ from EFC controller from the point of view of their construction, since instead of having a single INVERTER to control all the pumps, each pump has its own INVERTER. The two types of control panel differ in construction, but they have the same type of operation by the controller, which responds to the reference signal output by a pressure transmitter or other unified control (4 - 20 mA passive). If the electronic controller or pressure transmitter fails, a system of pressure switches controls the INVERTERS directly.

- In case of water distribution at constant starting pressure (Fig.1), the electronic controller is connected to the pressure transmitter on the units' delivery manifold, which outputs a signal proportional to the circuit pressure. When the pressure drops due to water demand, the pressure transmitter signal also drops and the controller starts and controls the speed of the first pump with the INVERTER to restore the reference/ operating pressure. If the pump's flow rate is lower than demand, the circuit pressure will continue to drop and the system responds by increasing the pump's speed. Once pump n. 1 reaches its maximum speed and demand is still in excess of its delivery, the controller will start pump n. 2, also at variable synchronous speed. The controller will modulate the speed of the two pumps to restore the operating pressure; the modulating frequency is the same for both pumps. If the pressure drops even further and pumps n. 1 and 2 are once again running at maximum speed, the controller starts up pump n. 3, and then pump n. 4, if present. When the water demand is reduced the pressure will end to increase, as does the pressure transmitter output value. The controller thus reduces the speed of pumps n. 1, 2, 3 and 4 (they are all controlled at the same speed) to restore the reference/ operating pressure. If the pumps' flow rate is greater than demand, the circuit pressure will continue to increase and the system responds by decreasing the speed of the pumps until it reaches the minimum speed setting. At this point, the controller will stop pump n. 4, while the speed of pumps n. 1, 2 and 3 is modulated to maintain the reference pressure. As the pressure continues to increase due to reduced demand, once the minimum speed setting is reached again, the controller will stop pump n. 3 and modulate the speed of pumps n. 1 and 2. This continues in sequence as the demand continues to fall, until the unit is completely stopped.

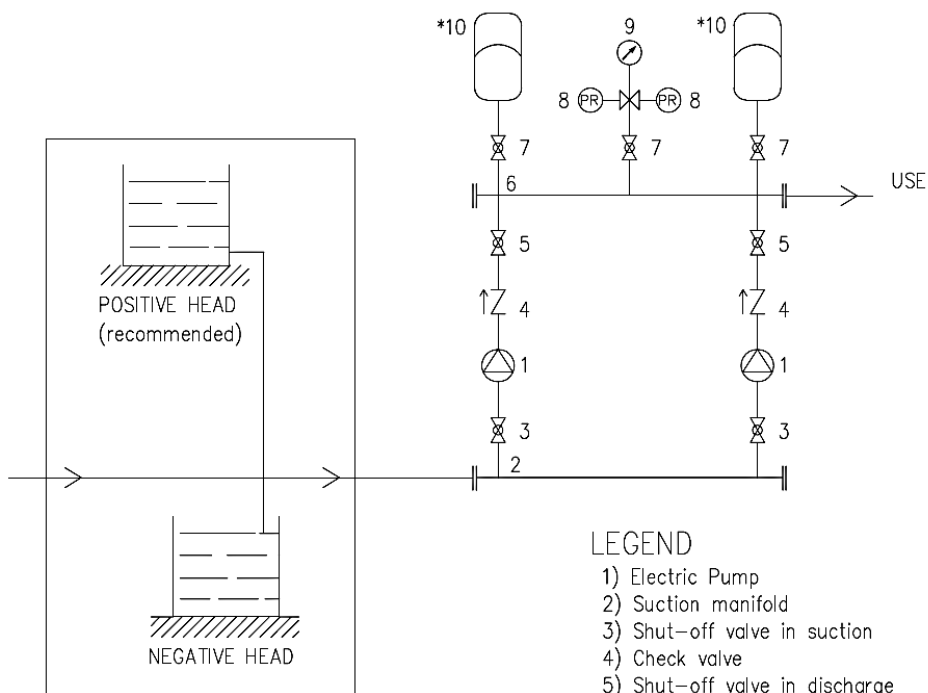
Fig. 1 - TWO PUMP UNIT WITH CONSTANT PRESSURE REGULATION



GP PRESSURISATION UNIT WATER CIRCUIT DIAGRAM



GPE PRESSURISATION UNIT WATER CIRCUIT DIAGRAM

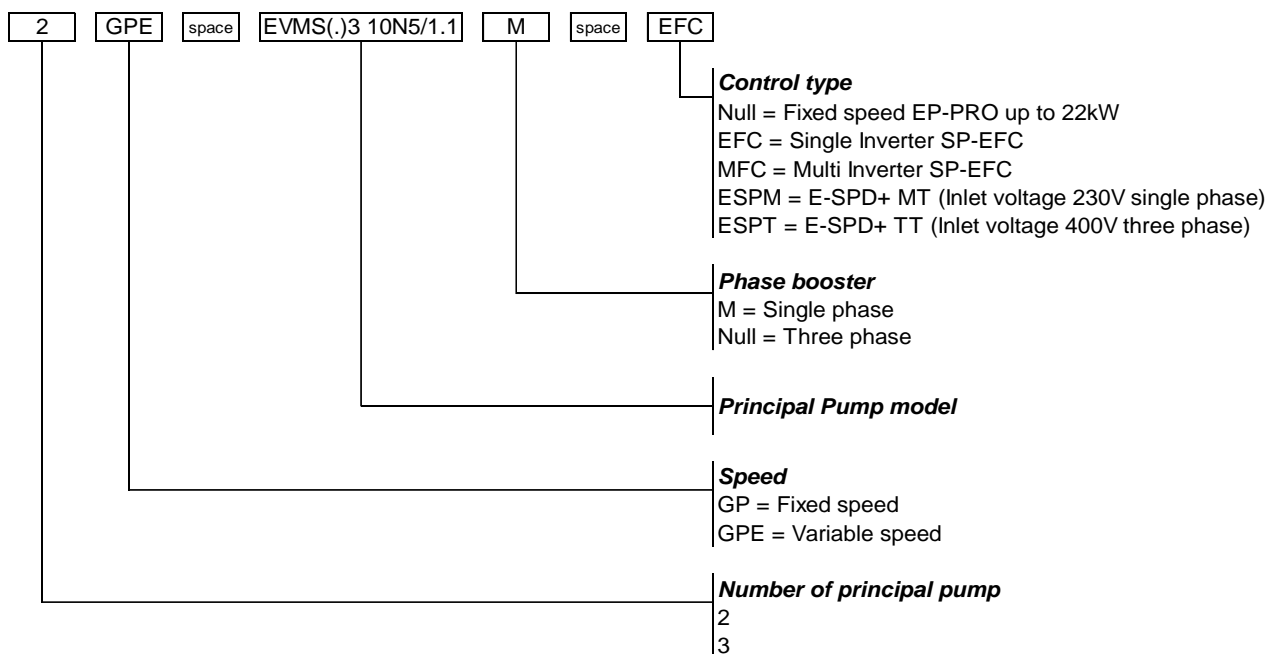


SUPPLY SYSTEM UPSTREAM FROM UNIT AT THE DISCRETION OF THE CUSTOMER OR THE SYSTEM DESIGNER.

LEGEND

- 1) Electric Pump
- 2) Suction manifold
- 3) Shut-off valve in suction
- 4) Check valve
- 5) Shut-off valve in discharge
- 6) Discharge manifold
- 7) Shut-off valve (Optional*)
- 8) Pump control/regulation pressure transmitter/pressure switch
- 9) Pressure gauge
- 10) Membrane vessel (Optional*)

TYPE KEY 2-3GP(.) EVMS



NAME PLATE

 EBARA Pumps Europe S.p.A. Via Campo Sportivo, 30 38023 Cles (TN), ITALY Phone +39 0444 706811 V.A.T.: 01234660221		 MADE IN ITALY	
GRUPPO DI PRESSURIZZAZIONE IDRICA			
TYPE	①		
P/N	②		
S/N	③		

- 1) "TYPE" booster model
- 2) "P/N" booster item number
- 3) "S/N" booster serial number

PRODUCT SPECIFICATIONS HYDRAULIC COMPONENTS AND CONTROL

BOOSTER SET										
Version			EVMS					EVM		
Operating range	Nominal flow rate (m ³ /h)	Single pump	3	5	10	15	20	32	45	
		2GP(E)	6	10	20	30	40	64	90	
		3GP(E)	9	15	30	45	60	96	135	
	Maximum working pressure		16 bar							
	Liquid temperature range		0 ÷ +80°C [1]							
Ambient operating temperature (no higher than 1000 m above sea level)		0 ÷ +40°C								
Hydraulic components	Frame		omega sheet (up to 5.5 kW) UPN channel (from 11kW)					UPN channel		
			Galvanized steel							
	Manifold suction / discharge		Threaded / Flanged manifold (AISI 304)					Flanged manifold (Galvanized steel)		
	Closing manifold	2GP(E)	Female cap for EVMS 3-5-10-15 Counterflange kit for EVMS 20					Counterflange kit		
		3GP(E)	Female cap for EVMS 3-5-10 Counterflange kit for EVMS 15-20							
	material		AISI 304					Galvanized steel		
	Check valve		Threaded check valve (Brass / NBR)					Flanged clapet valve (Painted cast iron)		
	Union Ball valve		Threaded union ball valve (Brass / PTFE)					Butterfly valve (Lug) (Painted cast iron)		
Socket for air feeders (only for "GP" version)		Threaded socket (Brass)					Flanged socket [2] (Galvanized steel)			
Control	Pressure gauge		M3A-ABS 50/FR / plastic-copper alloy							
	Pressure switches		2-3GP version with EP panel fixed speed from 11 kW and above 4GP version with EP panel fixed speed GPE version with SP EFC / MFC panel with inverter XMP							
	Pressure transmitter		2-3GP version up to 7.5 kW GPE version with SP EFC / MFC panel GPE version with E-SPD+ EN 10088-1.4301 (AISI 304) / 1.4404 (AISI 316L)							

[1] For optional version ask the temperature range to the sales department.

[2] Optional

ELECTRIC PANEL

BOOSTER SET									
Version			EVMS						
Operating range	Nominal flow rate (m ³ /h)	Single pump	3	5	10	15	20	32	45
		2GP(E)	6	10	20	30	40	64	90
		3GP(E)	9	15	30	45	60	96	135
	Maximum working pressure		16 bar						
	Liquid temperature range		0 ÷ +80°C ^[1]						
Ambient operating temperature (no higher than 1000 m above sea level)		0 ÷ +40°C							
Control panel	Principal Electric panel	EP-PRO up to 22 Kw fixed speed (only for GP)	•	•	•	•	•	•	•
		SP EFC/MFC variable speed from 4 kW to 22 kW (only for GPE)	○	○	○	○	○	○	○
	E-SPD+ ^[2]	single-phase supply inverter (only GPE up to 2.2 kW)	•	•	•	•	○	-	-
		three-phase supply inverter (only GPE up to 11 kW)	•	•	•	•	•	•	•

• : Standard ○ : Optional

[1] For optional version ask the temperature range to the sales department.

[2] To be assemble with protection panel (to see "PROTECTION PANEL" section)

TECHNICAL PUMP DATA

EVMS(.) 3-5-10-15-20

		PUMP														
Version		EVMSG					EVMS					EVMSL				
		3	5	10	15	20	3	5	10	15	20	3	5	10	15	20
Operating range	Nominal flow rate (m ³ /h)															
	Maximum working pressure	16 bar / 25 bar														
	Liquid temperature range	-30°C to +140°C														
Key components material	Impeller	EN 1.4301 (AISI 304)										EN 1.4401 (AISI 316L)				
	Intermediate casin	EN 1.4301 (AISI 304)										EN 1.4401 (AISI 316L)				
	Liner ring	EN 1.4301 (AISI 304) + PPS										EN 1.4401 (AISI 316L) + PPS				
	Bottom casing	Cast Iron					EN 1.4301 (AISI 304)					EN 1.4401 (AISI 316L)				
	Casing cover	EN 1.4301 (AISI 304)										EN 1.4401 (AISI 316L)				
	Shaft	EN 1.4301 (AISI 304) EVMSG / EVMS -3-10 , EVMSG / EVMS 5-15-20 (depend on models)														
		EN 1.4404 (AISI 316L) EVMSL -3-10 , EVMSL 5-15-20 (depend on models)														
		EN 1.4462 (AISI 329A) EVMSG / EVMS / EVMSL 5-15-20 (depend on models)														
	Shaft seal	See the shaft seal options														
	O-ring	EPDM	●	●	●	●	●	●	●	●	●	●	●	●	●	●
		FPM	○	○	○	○	○	○	○	○	○	○	○	○	○	○
	Outer casing	EN 1.4301 (AISI 304)										EN 1.4404 (AISI 316L)				
Motor bracket	Cast iron															
Base	Cast iron					Die cast aluminium										
Pipe connection	Oval flange	● ● ● ● ● ● ● ● ● ● ● ● ● ● ● ●														
		up to 16 bar														
	Round flange (DIN)	○ ○ ○ ○ ○ ○ ○ ○ ○ ○ ○ ○ ○ ○ ○ ○														
		up to 16 bar														
● ● ● ● ● ● ● ● ● ● ● ● ● ● ● ●																
From 16 bar a 25 bar																

● : Standard ○ : Optional

EVMS(.) 32-45

PUMP								
Version		EVMSG		EVMS		EVMSL		
Operating range	Nominal flow rate (m ³ /h)	32	45	32	45	32	45	
	Maximum Working pressure	16 / 25 / 30 bar						
	Liquid Temperature range	-30°C to +140°C						
Key components material	Impeller	EN 1.4301 (AISI 304)			EN 1.4404 (AISI 316L)			
	Intermediate casing	EN 1.4301 (AISI 304)			EN1.4404 (AISI 316L)			
	Liner ring	EN 1.4301 (AISI 304) + PPS			EN 1.4404 (AISI 316L)+PPS			
	Bottom casing	Cast Iron	EN 1.4308 (ASTM CF8)		EN 1.4408 (ASTM CF8M)			
	Casing cover	EN 1.4301 (AISI 304)			EN .4404 (AISI 316L)			
	Shaft	EN 1.4301 (AISI 304)	EVMSG / EVMS 32-45-64 (depend on models)					
		EN .4404 (AISI 316L)	EVMSL 32-45-64 (depend on models)					
		EN 1.4462 (AISI 329A)	EVMSG / EVMS 45-64 (depend on models)					
	Shaft sleeve bearing	Tungstene carbide						
	Shaft Seal	type	Cartridge mechanical seal					
		material	See the shaft seal options					
	O-ring	EPDM			FPM			
	Outer casing	EN 1.4301 (AISI 304)			EN 1.4404 (AISI 316L)			
	Motor Bracket	Cast Iron						
	Tie rod	EN 1.4057 (AISI 431)						
Coupling	up to 4 kW	Die cast Aluminium						
	from 5.5 kW up to 30 kW	Cast Iron						
	from 37 kW	Carbon Steel						
Base	Cast Iron							
Pipe connection	Round Flange (DIN)	•	•					
	Louse round Flange (DIN)			•	•	•	•	

TECHNICAL MOTOR DATA

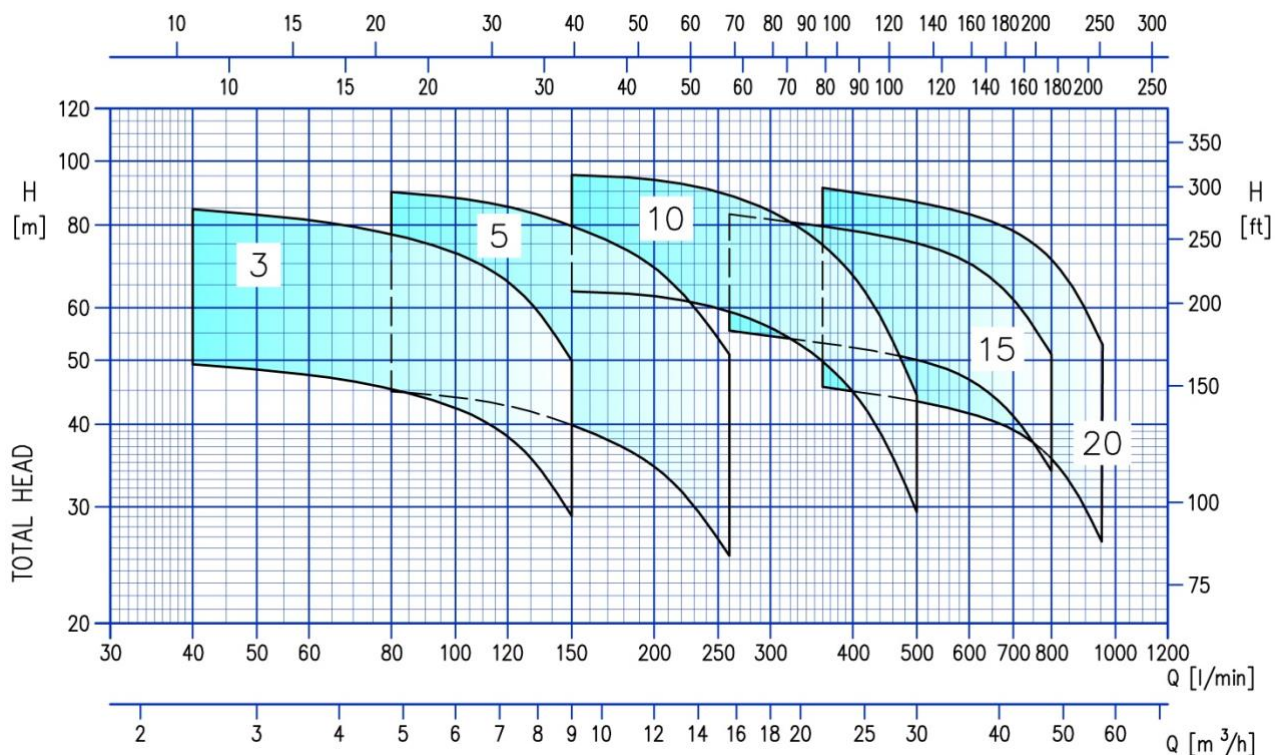
ETM MOTOR

ETM MOTOR		
	Version	EVMS
Power source	Frequency	50 Hz
	Phase	Three-phase
	Rotation speed	2900 min-1
	Power rating	0.75 ÷ 11 kW
		1.0 ÷ 15 HP
Voltage	230/400 ± 10% V (up to 4 kW)	
	400/690 ± 10% V (from 5.5 kW)	
Type	Type	Electric - TEFC
	Efficiency level	IE3
	N°of poles	2
	Protection degree	IP 55
	Insulation class	F (temperature rise class B)
Others	Thermal Protection	PTC is available for the above 1.5 kW
	Casing Material	Aluminium
	Flange mount (IEC motor)	IM B14 (up to 4 kW)
		IM B5 (from 5.5 kW)

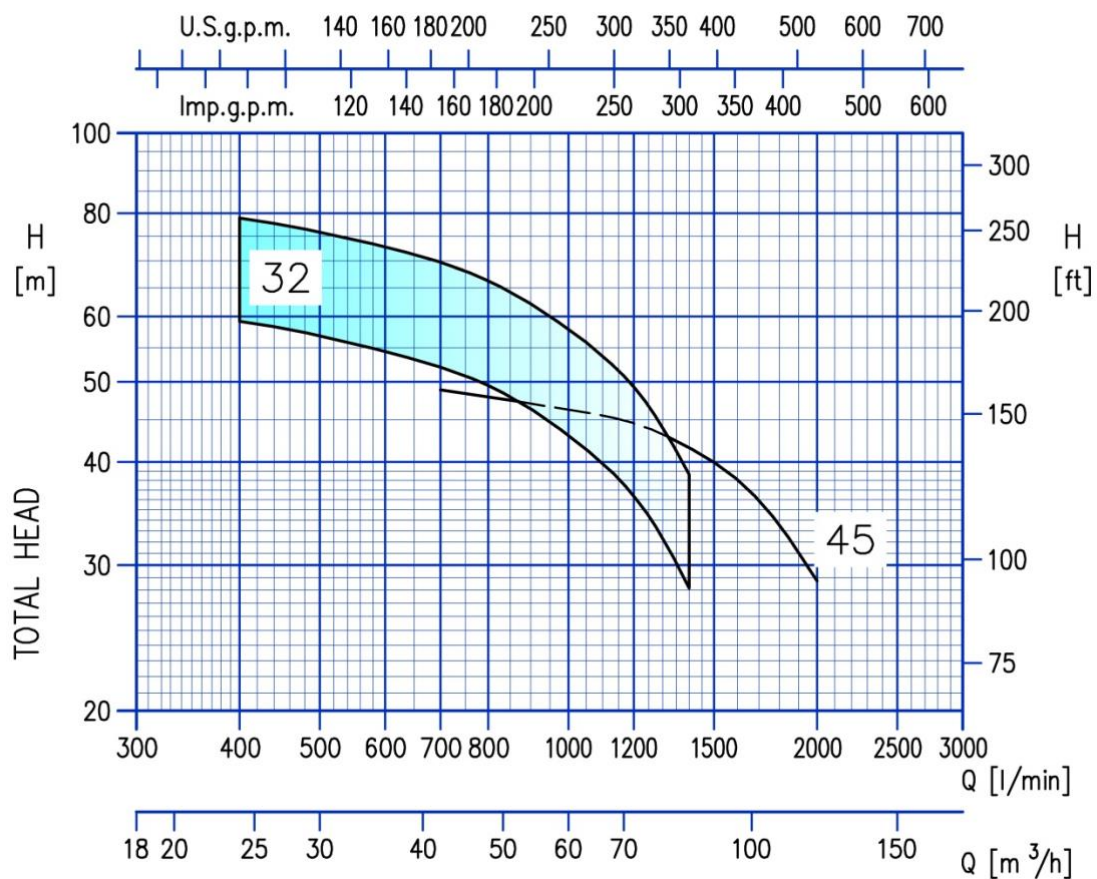
OTHER MOTOR

OTHER MOTOR				
	Version	EVMS		
Power source	Frequency	50 Hz		
	Phase	Single-phase	Three-phase	
	Rotation speed	2900 min-1		
	Power rating	0.75 ÷ 2.2 kW	15 ÷ 45 kW	
		1.0 ÷ 3.0 HP	20 ÷ 60 HP	
	Voltage	230 ± 10% V	400/690 ± 10% V	
Type	Type	Electric - TEFC		
	Efficiency level	IE2	IE3	
	N°of poles	2		
	Protection degree	IP 55	IP 56	
	Insulation class	F (temperature rise class B)		
Others	Thermal Protection	PTC is available for the above 1.5 kW		
	Casing Material	Aluminium	Aluminium (up to 30 kW) Cast Iron (from 37 kW)	
	Flange mount (IEC motor)	IM B14	IM B5	

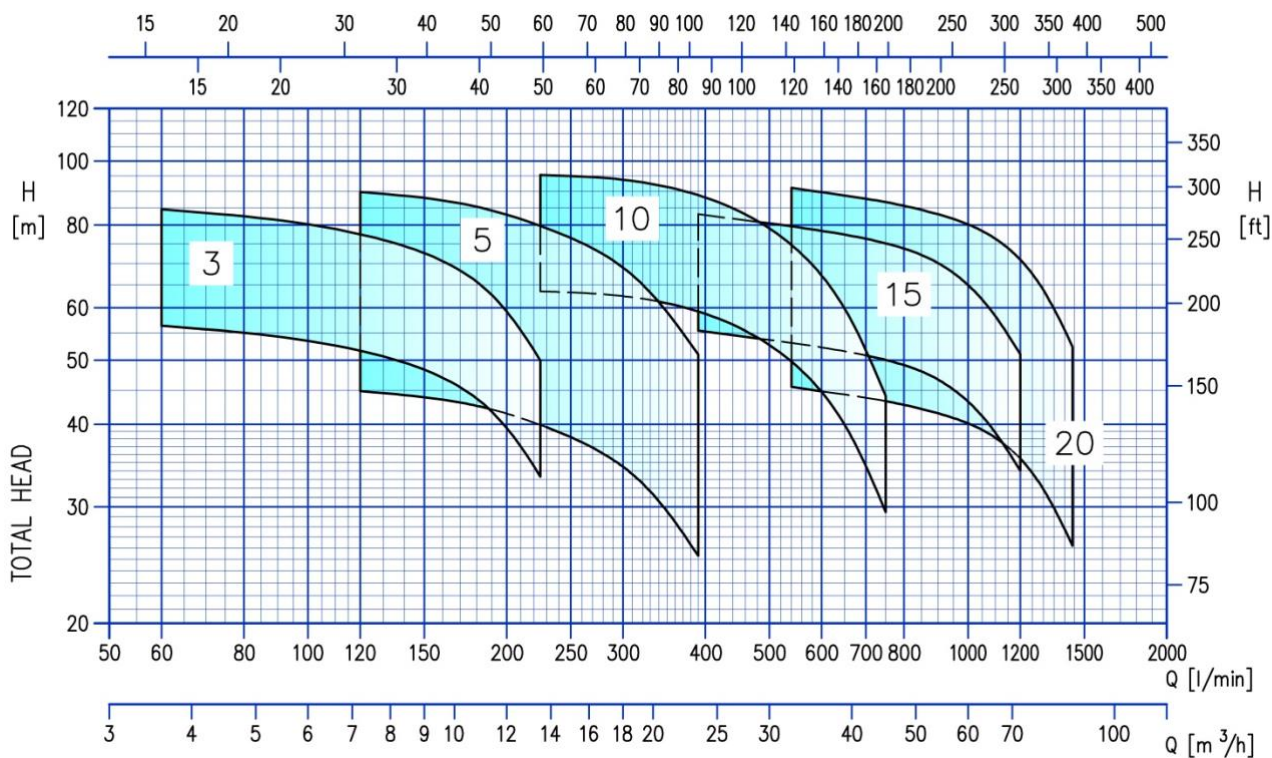
PERFORMANCE RANGE RESEAU BOOSTER SET 2GP(.) EVMS(.) 3-5-10-15-20



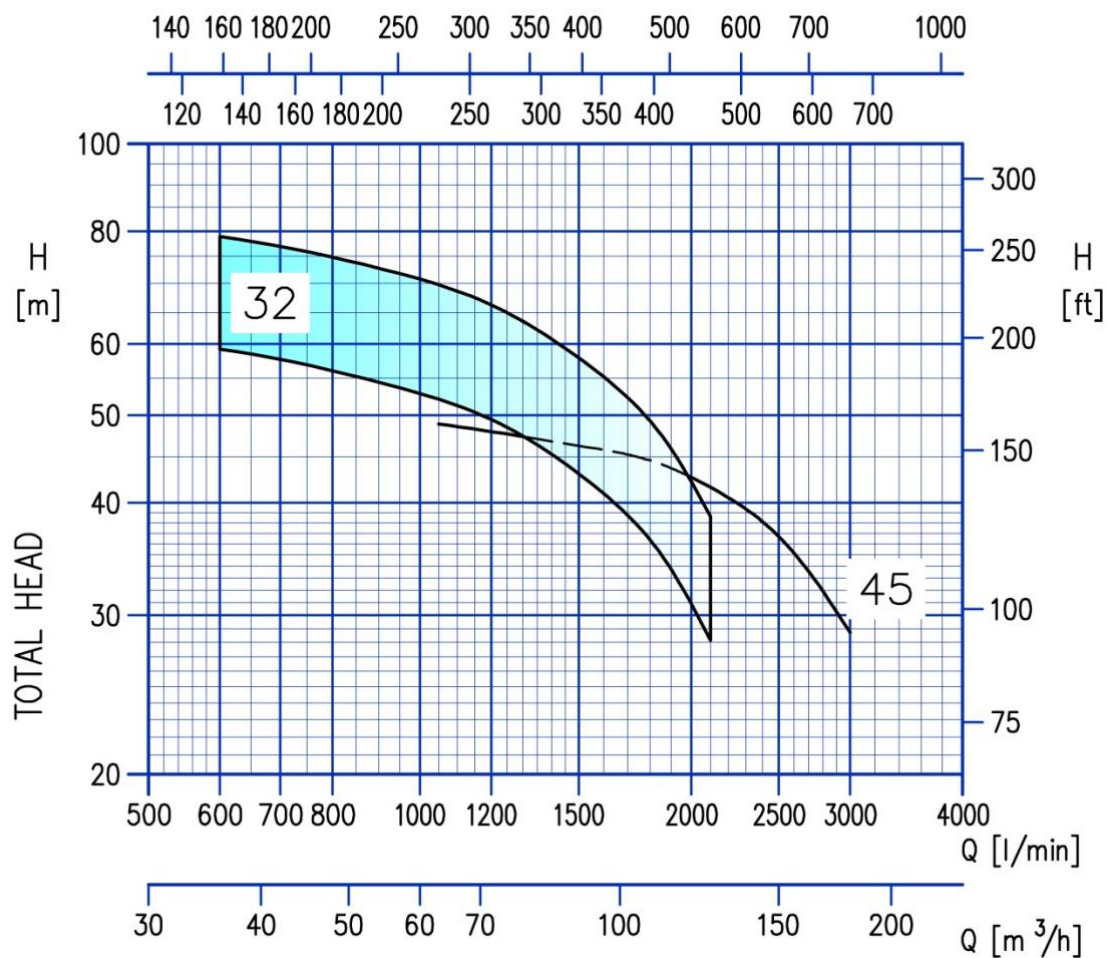
RESEAU BOOSTER SET 2GP(.) EVMS(.) 32-45



RESEAU BOOSTER SET 3GP(.) EVMS(.) 3-5-10-15-20



RESEAU BOOSTER SET 3GP(.) EVM(.) 32-45



CURVE SPECIFICATION MINIMUM EFFICIENCY INDEX (MEI)

The specifications below qualify the curves shown on the following pages.

Tolerances according to ISO 9906 Annex A

The curves refer to effective speed of asynchronous motors at 50 Hz

Measurements were carried out with clean water at 20°C of temperature and with a kinematic viscosity of $\nu = 1 \text{ mm}^2/\text{s}$ (1 cSt)

The NPSH curve is an average curve obtained in the same conditions of performance curves.

The continuous curves indicate the recommended working range. The dotted curve is only a guide.

In order to avoid the risk of over-heating, the pumps should not be used at a flow rate below 10% of best efficiency point. The performance curves refer to 2 and 3 pumps booster sets.

Symbols explanation:

Q = volume flow rate

H = total head

P2 = pump power input (shaft power)

η = pump efficiency

NPSH = net positive suction head required by the pump

1 = one pump on work performance curve

2 = two pumps on work performance curve

3 = three pumps on work performance curve

MEI = minimum efficiency index

Pressure drops of the booster's fittings are not considered

The minimum efficiency index (MEI) is a measure of the quality of a pump size respect to its mean efficiency.

The minimum efficiency index is based on the hydraulic efficiency and on the head at the best efficiency point.

Minimum efficiency index (MEI)

Pump Type	MEI *
EVMS(.)3	> 0.70
EVMS(.)5	> 0.70
EVMS(.)10	> 0.70
EVMS(.)15	> 0.70
EVMS(.)20	> 0.70
EVMS(.)32	> 0.70
EVMS(.)45	> 0.70

****The values refer to the individual pumps***

SELECTION CHART 2GP(.) EVMS(.) 3-5

Model	Motor		Maximum working pressure (MPa)	Q=Capacity								
	kW	HP		l/min	0	40	60	80	120	150	200	260
				m³/h	0	2,4	3,6	4,8	7,2	9,0	12,0	15,6
H=Total manometric head in meters												
2GP(.) EVMS(.)3 7/0.75	0.75 + 0.75	1 + 1	1,6	51,5	49,5	47,5	45	38,3	29,2	-	-	
2GP(.) EVMS(.)3 8/0.75	0.75 + 0.75	1 + 1		59	56,5	54,5	51,5	44	33,4	-	-	
2GP(.) EVMS(.)3 9/1.1	1.1 + 1.1	1.5 + 1.5		66,5	63,5	61	58	49	37,6	-	-	
2GP(.) EVMS(.)3 10/1.1	1.1 + 1.1	1.5 + 1.5		73,5	70,5	68	64,5	54,5	41,5	-	-	
2GP(.) EVMS(.)3 12/1.1	1.1 + 1.1	1.5 + 1.5		89	84,5	81,5	77,5	65,5	50,0	-	-	
2GP(.) EVMS(.)5 5/1.1	1.1 + 1.1	1.5 + 1.5		47,5	-	-	45	42,5	39,9	34,5	25,5	
2GP(.) EVMS(.)5 7/1.5	1.5 + 1.5	2 + 2		66,5	-	-	63	59,5	56	48,5	35,7	
2GP(.) EVMS(.)5 8/2.2	2.2 + 2.2	3 + 3		76	-	-	72	68	64	55	41	
2GP(.) EVMS(.)5 9/2.2	2.2 + 2.2	3 + 3		85,5	-	-	81	77	72	62	46	
2GP(.) EVMS(.)5 10/2.2	2.2 + 2.2	3 + 3		95,0	-	-	90	88,5	80	69	51	

SELECTION CHART 2GP(.) EVMS(.) 10-15-20

Model	Motor		Maximum working pressure (MPa)	Q=Capacity													
	kW	HP		l/min	0	150	200	260	300	360	400	500	600	700	800	900	960
				m³/h	0	9,0	12,0	15,6	18,0	21,6	24,0	30,0	36,0	42,0	48,0	54,0	57,6
H=Total manometric head in meters																	
2GP(.) EVMS(.)10 6/2.2	2.2 + 2.2	3 + 3	1,6	65,5	63,5	62,5	59	56	50	45	29,5	-	-	-	-	-	
2GP(.) EVMS(.)10 7/3.0	3.0 + 3.0	4 + 4		76,5	74	73	69	65,5	58	52	34,4	-	-	-	-	-	
2GP(.) EVMS(.)10 8/3.0	3.0 + 3.0	4 + 4		87,0	84,5	83,5	79	74,5	66,5	59,3	39,3	-	-	-	-	-	
2GP(.) EVMS(.)10 9/4.0	4.0 + 4.0	5.5 + 5.5		98	95,5	93,5	89,0	84,0	74,5	67,0	44,0	-	-	-	-	-	
2GP(.) EVMS(.)15 4/4.0	4.0 + 4.0	5.5 + 5.5		59	-	-	55	54,5	53	52	50	46,5	41	33,6	-	-	
2GP(.) EVMS(.)15 6/5.5	5.5 + 5.5	7.5 + 7.5		88,5	-	-	82,5	81,5	79,5	78	74,5	69,5	61	50,5	-	-	
2GP(.) EVMS(.)20 3/4.0	4.0 + 4.0	5.5 + 5.5		50,5	-	-	-	-	46	45	43,4	41,6	39,2	35,5	29,9	26,2	
2GP(.) EVMS(.)20 4/5.5	5.5 + 5.5	7.5 + 7.5		67	-	-	-	-	60,8	59,8	57,8	55,4	52,3	47	39,8	34,9	
2GP(.) EVMS(.)20 6/7.5	7.5 + 7.5	10 + 10		101	-	-	-	-	91	89,5	86,5	83	79	71	60	52	

SELECTION CHART 2GP(.) EVMS(.) 32-45

Model	Motor		Maximum working pressure (MPa)	Q=Capacity									
	kW	HP		l/min	0	400	700	1000	1200	1400	1600	1800	2000
				m³/h	0	24	42	60	72	84	96	108	120
H=Total manometric head in meters													
2GP(.) EVMS(.)32 3-0/5.5	5.5 + 5.5	7.5 + 7.5	1,6	63	59	52	43	36,4	28,2	-	-	-	
2GP(.) EVMS(.)32 4-0/7.5	7.5 + 7.5	10 + 10		83,5	79	70	58,0	49,5	38,7	-	-	-	
2GP(.) EVMS(.)45 2-0/7.5	7.5 + 7.5	10 + 10		54	-	49	46,5	44,5	41,5	38,1	33,0	28,7	

SELECTION CHART 3GP(.) EVMS(.) 3-5

Model	Motor		Maximum working pressure (MPa)	Q=Capacity								
	kW	HP		l/min	0	60	90	120	180	225	300	390
				m ³ /h	0	3,6	5,4	7,2	10,8	13,5	18,0	23,4
H=Total manometric head in meters												
3GP(.) EVMS(.)3 8/0.75	0.75 + 0.75 + 0.75	1 + 1 + 1	1,6	59,0	56,5	54,5	52	44,0	33,4	-	-	
3GP(.) EVMS(.)3 12/1.1	1.1 + 1.1 + 1.1	1.5 + 1.5 + 1.5		89	84,5	81,5	77,5	65,5	50,0	-	-	
3GP(.) EVMS(.)5 5/1.1	1.1 + 1.1 + 1.1	1.5 + 1.5 + 1.5		47,5	-	-	45	42,5	39,9	34,5	25,5	
3GP(.) EVMS(.)5 7/1.5	1.5 + 1.5 + 1.5	2 + 2 + 2		66,5	-	-	63	59,5	56	48,5	35,7	
3GP(.) EVMS(.)5 8/2.2	2.2 + 2.2 + 2.2	3 + 3 + 3		76	-	-	72	68	64	55	41	
3GP(.) EVMS(.)5 10/2.2	2.2 + 2.2 + 2.2	3 + 3 + 3		95,0	-	-	90	88,5	80	69	51	

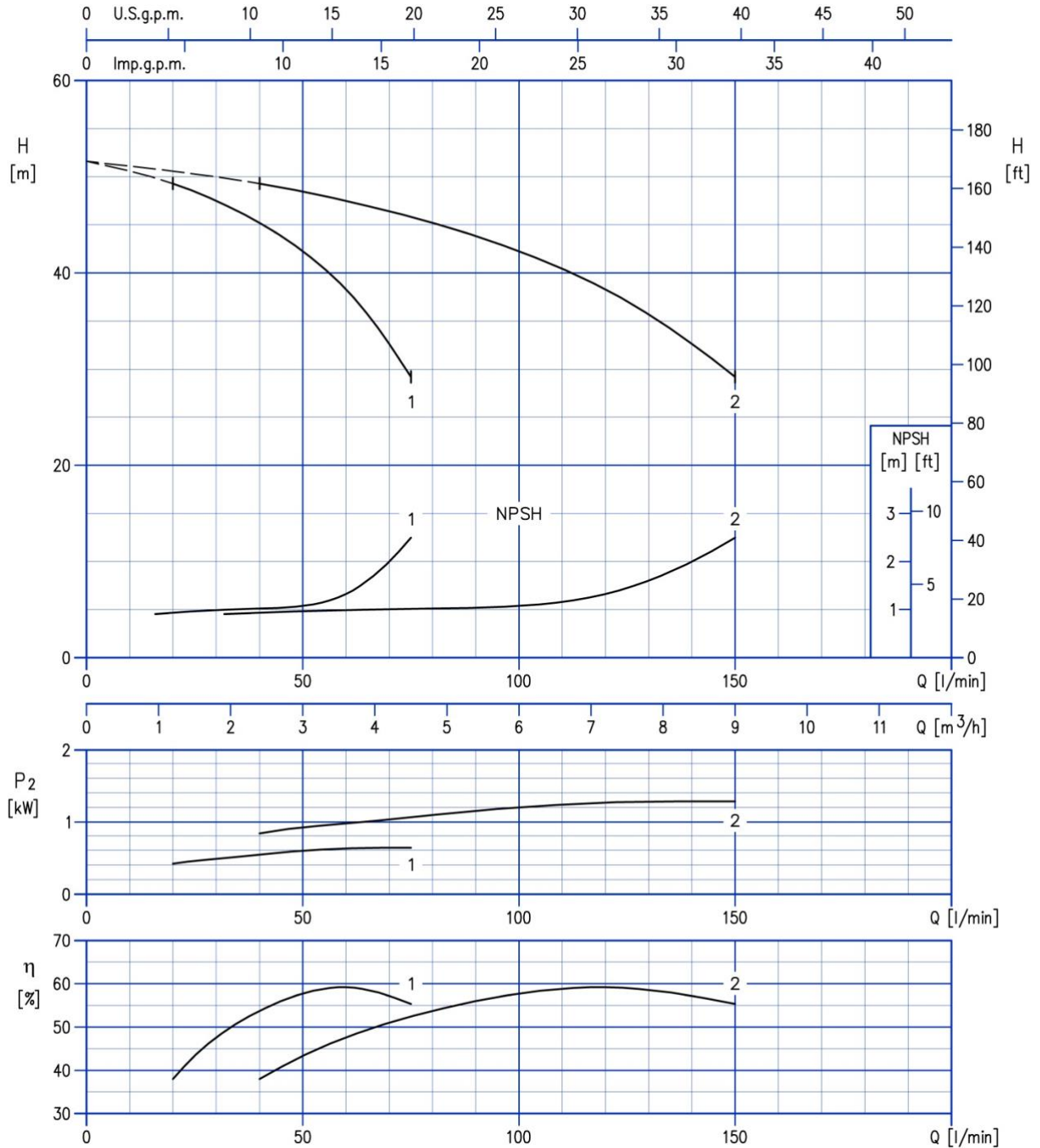
SELECTION CHART 3GP(.) EVMS(.) 10-15-20

Model	Motor		Maximum working pressure (MPa)	Q=Capacity													
	kW	HP		l/min	0	225	300	390	450	540	600	750	900	1050	1200	1350	1440
				m ³ /h	0	13,5	18,0	23,4	27,0	32,4	36,0	45,0	54,0	63,0	72,0	81,0	86,4
H=Total manometric head in meters																	
3GP(.) EVMS(.)10 6/2.2	2.2 + 2.2 + 2.2	3 + 3 + 3	1,6	65,5	63,5	62,5	59	56	50	45	29,5	-	-	-	-	-	
3GP(.) EVMS(.)10 7/3.0	3.0 + 3.0 + 3.0	4 + 4 + 4		76,5	74	73	69	65,5	58	52	34,4	-	-	-	-	-	
3GP(.) EVMS(.)10 8/3.0	3.0 + 3.0 + 3.0	4 + 4 + 4		87,0	84,5	83,5	79	74,5	66,5	59,5	39,3	-	-	-	-	-	
3GP(.) EVMS(.)10 9/4.0	4.0 + 4.0 + 4.0	5.5 + 5.5 + 5.5		98	95,5	93,5	89,0	84,0	74,5	67,0	44,0	-	-	-	-	-	
3GP(.) EVMS(.)15 4/4.0	4.0 + 4.0 + 4.0	5.5 + 5.5 + 5.5		59	-	-	55	54,5	53	52	50	46,5	41	33,6	-	-	
3GP(.) EVMS(.)15 5/5.5	5.5 + 5.5 + 5.5	7.5 + 7.5 + 7.5		73,5	-	-	69	68	66	65	62	58	51	42	-	-	
3GP(.) EVMS(.)15 6/5.5	5.5 + 5.5 + 5.5	7.5 + 7.5 + 7.5		88,5	-	-	82,5	81,5	79,5	78	74,5	69,5	61	50,5	-	-	
3GP(.) EVMS(.)20 3/5.5	4.0 + 4.0 + 4.0	5.5 + 5.5 + 5.5		50,5	-	-	-	-	46	45	43,4	41,6	39,2	35,5	29,9	26,2	
3GP(.) EVMS(.)20 4/5.5	5.5 + 5.5 + 5.5	7.5 + 7.5 + 7.5		67	-	-	-	-	60,8	59,8	57,8	55,4	52,3	47	39,8	34,9	
3GP(.) EVMS(.)20 6/7.5	7.5 + 7.5 + 7.5	10 + 10 + 10		101	-	-	-	-	91	89,5	86,5	83	79	71	60	52	

SELECTION CHART 3GP(.) EVMS(.) 32-45

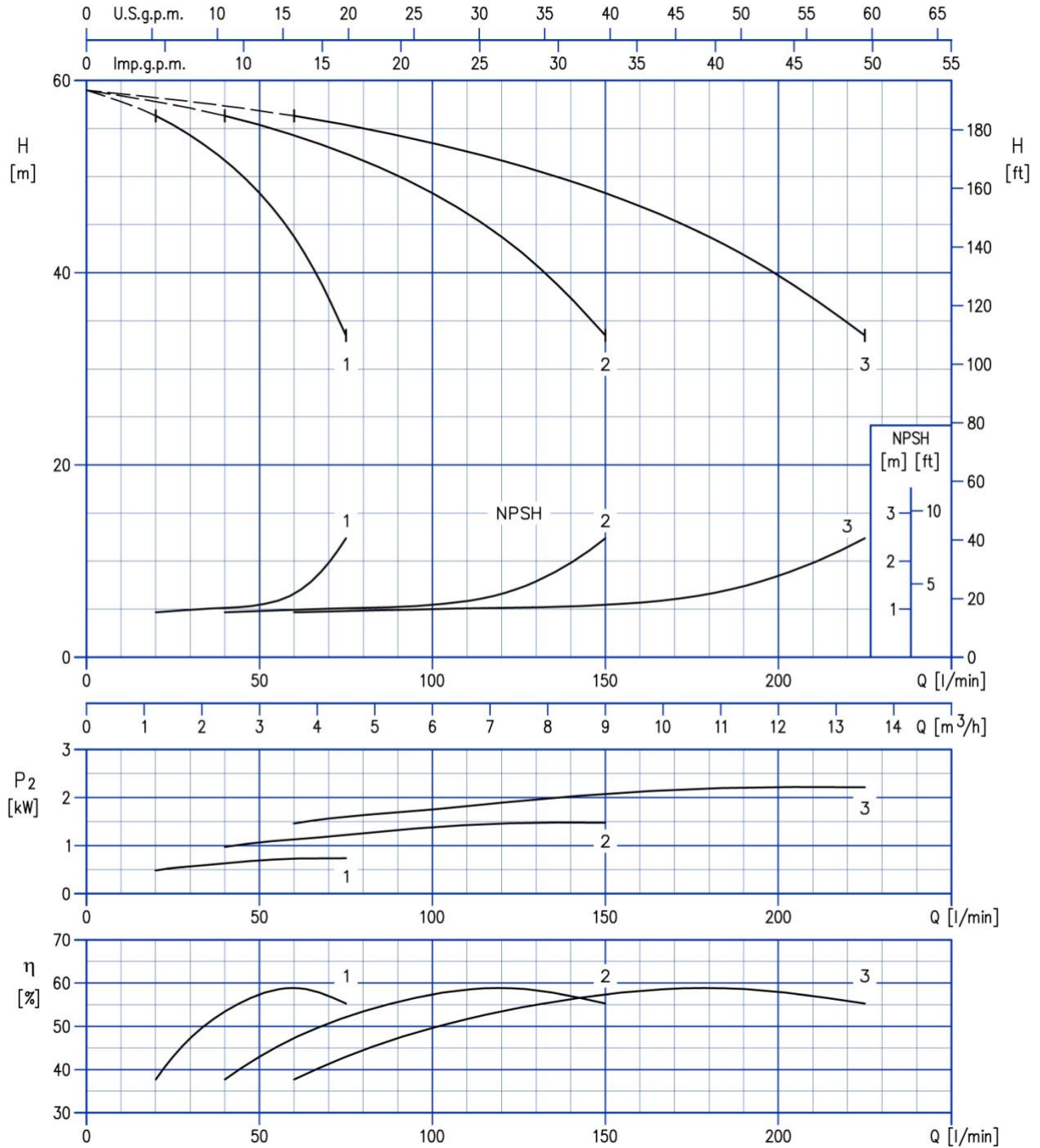
Model	Motor		Maximum working pressure (MPa)	Q=Capacity									
	kW	HP		l/min	0	600	1050	1500	1800	2100	2400	2700	3000
				m ³ /h	0	36	63	90	108	126	144	162	180
H=Total manometric head in meters													
3GP(.) EVMS(.)32 3-0/5.5	5.5 + 5.5 + 5.5	7.5 + 7.5 + 7.5	1,6	63	59	52	43	36,4	28,2	-	-	-	
3GP(.) EVMS(.)32 4-0/7.5	7.5 + 7.5 + 7.5	10 + 10 + 10		83,5	79	70	58,0	49,5	38,7	-	-	-	
3GP(.) EVMS(.)45 2-0/7.5	7.5 + 7.5 + 7.5	10 + 10 + 10		54	-	49	46,5	44,5	41,5	38,1	33,0	28,7	

PERFORMANCE CURVE 2GP(.) 2GP(.) EVMS 3-7/0.75



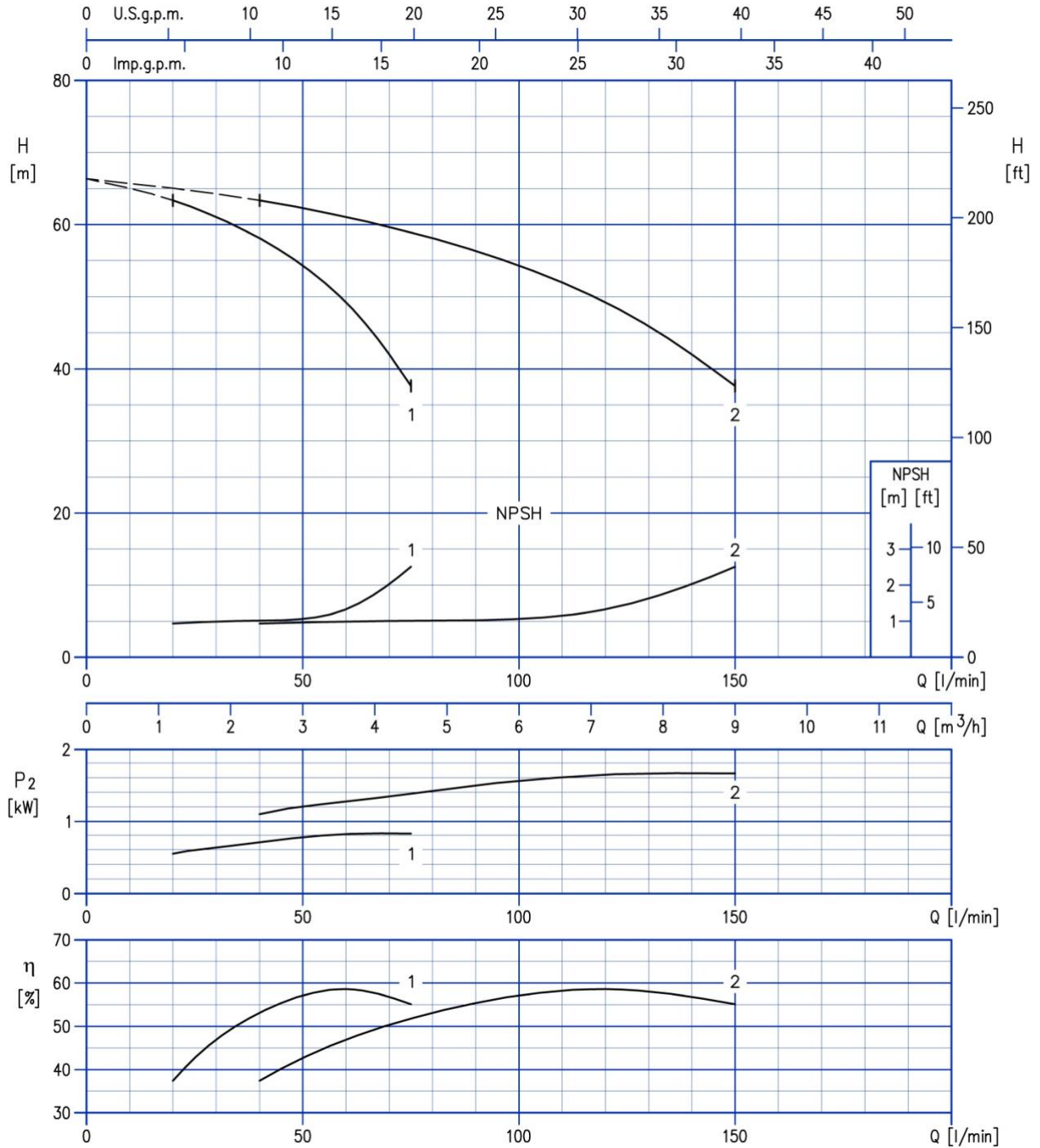
Test standard: ISO 9906: 2012 - Grade 3B

2-3 GP(.) EVMS 3-8/0.75



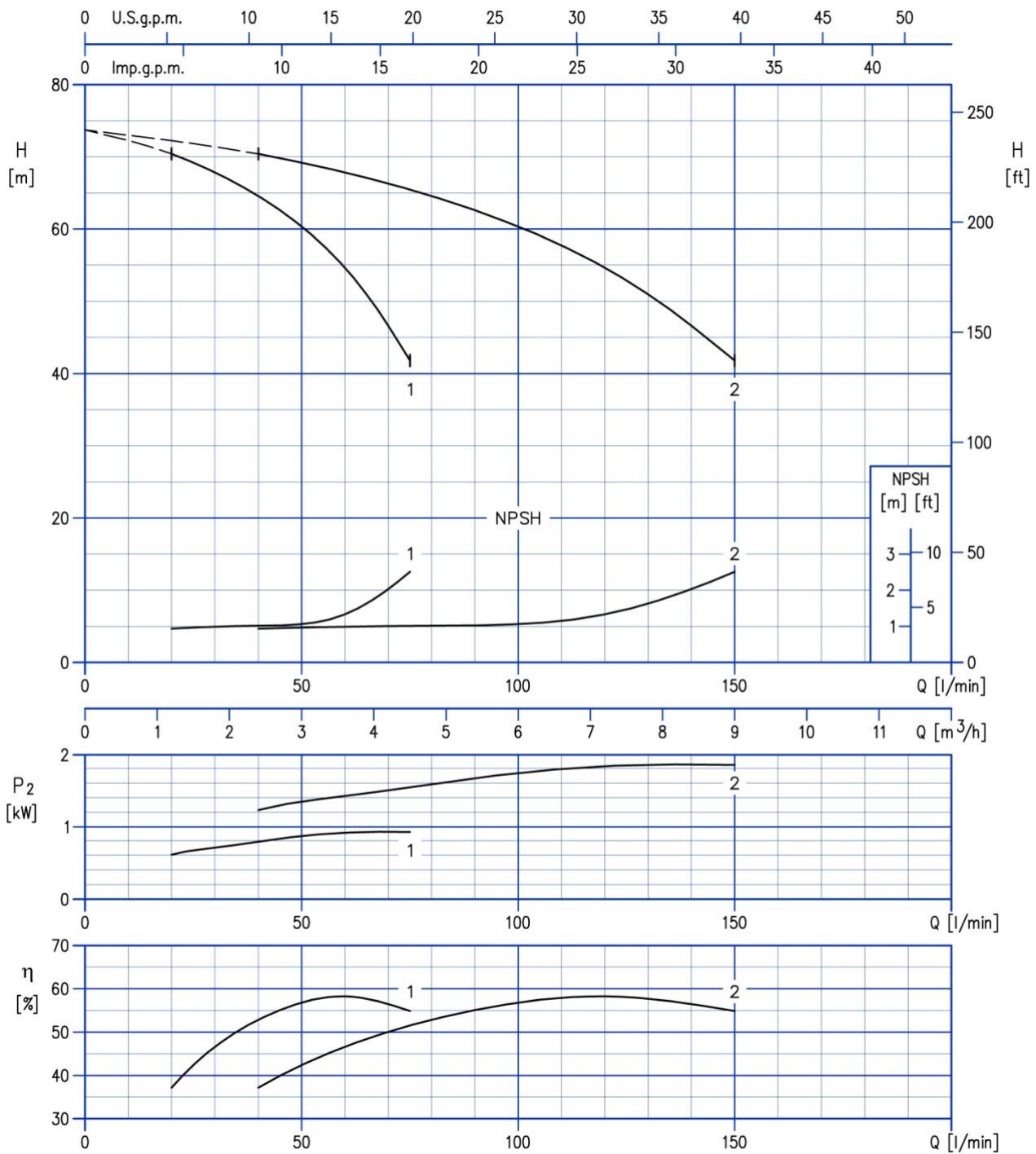
Test standard: ISO 9906: 2012 - Grade 3B

2GP(.) EVMS 3-9/1.1



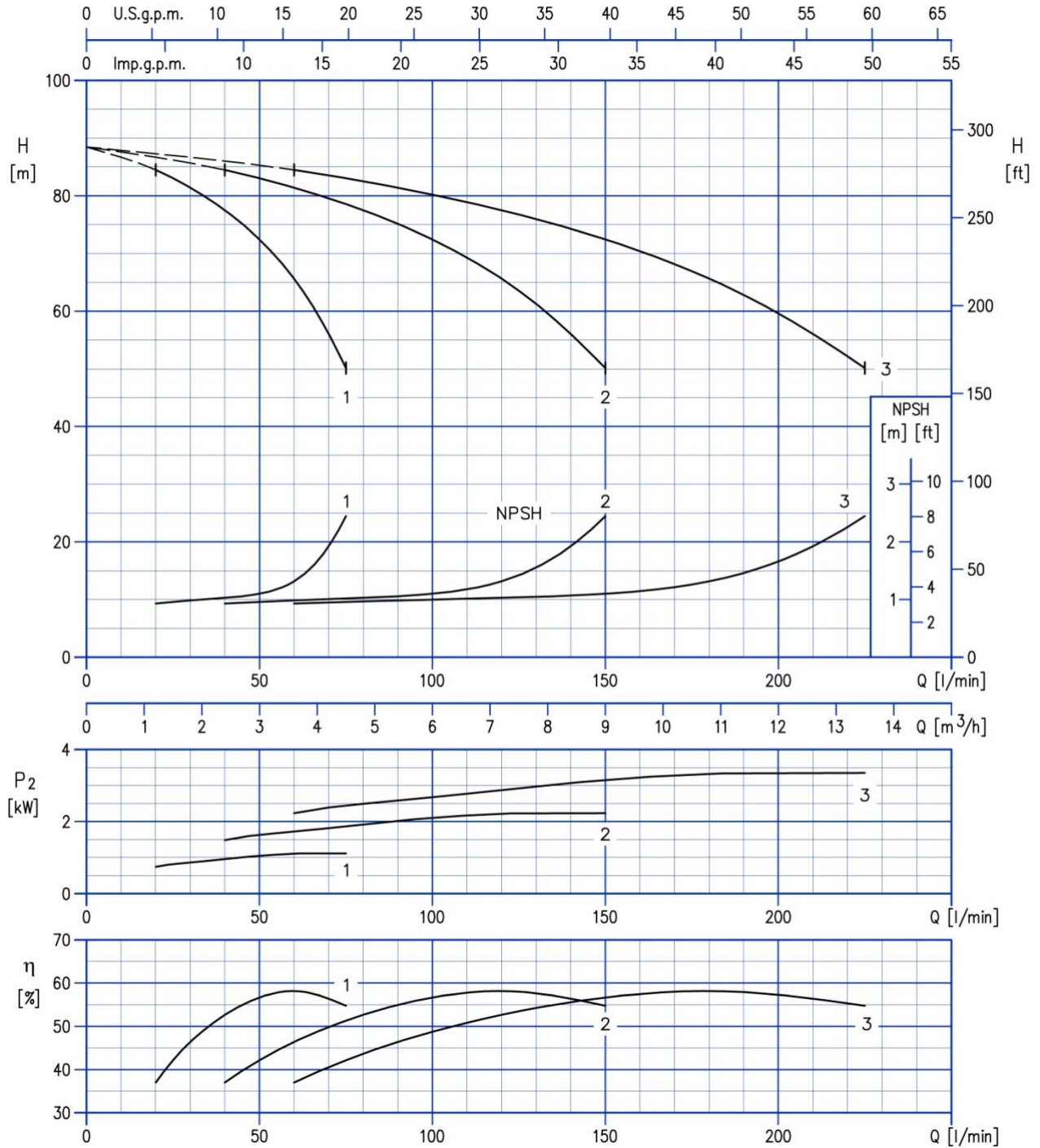
Test standard: ISO 9906: 2012 - Grade 3B

2GP(.) EVMS 3-10/1.1



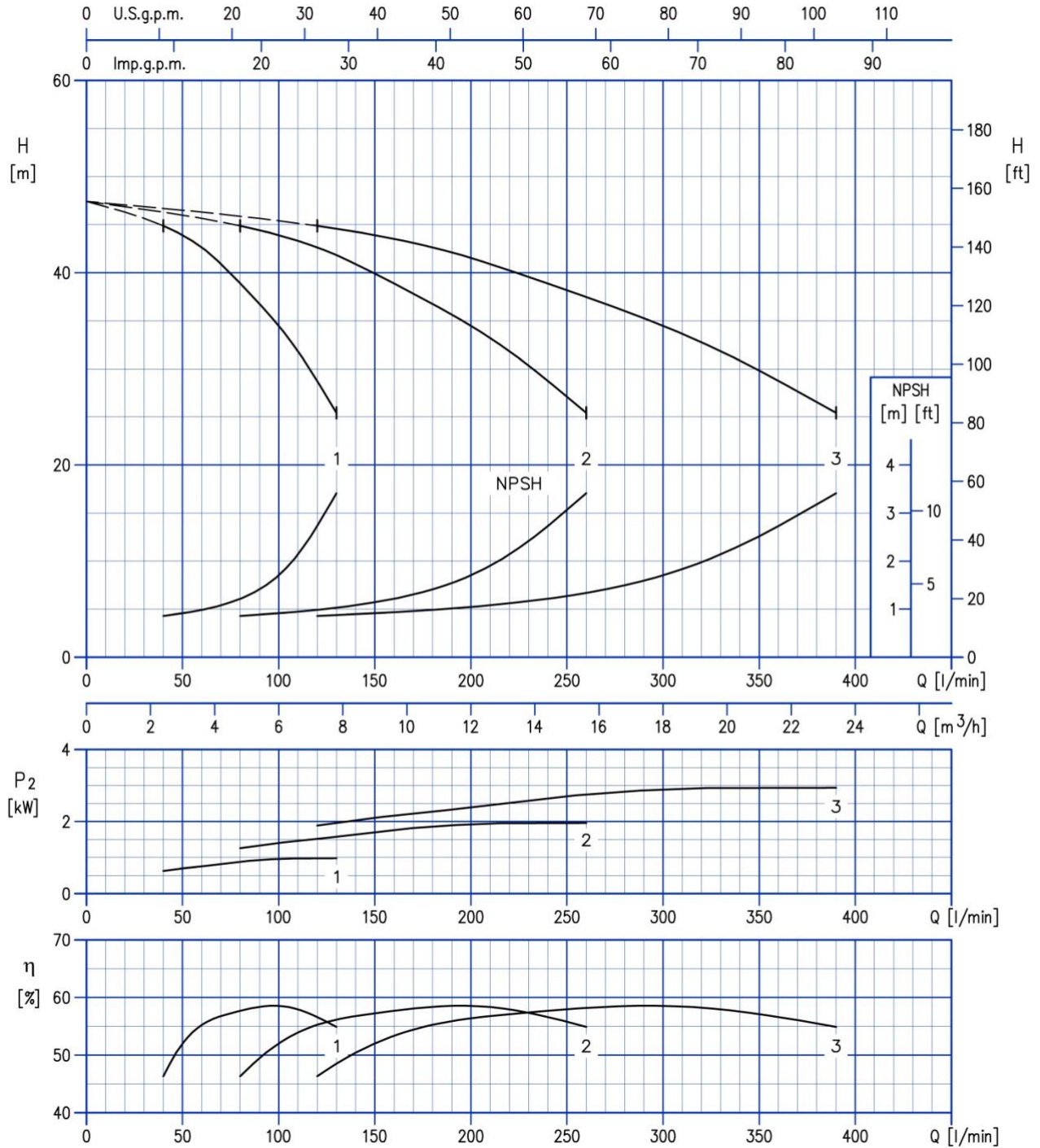
Test standard: ISO 9906: 2012 - Grade 3B

2-3 GP(.) EVMS 3-12/1.1



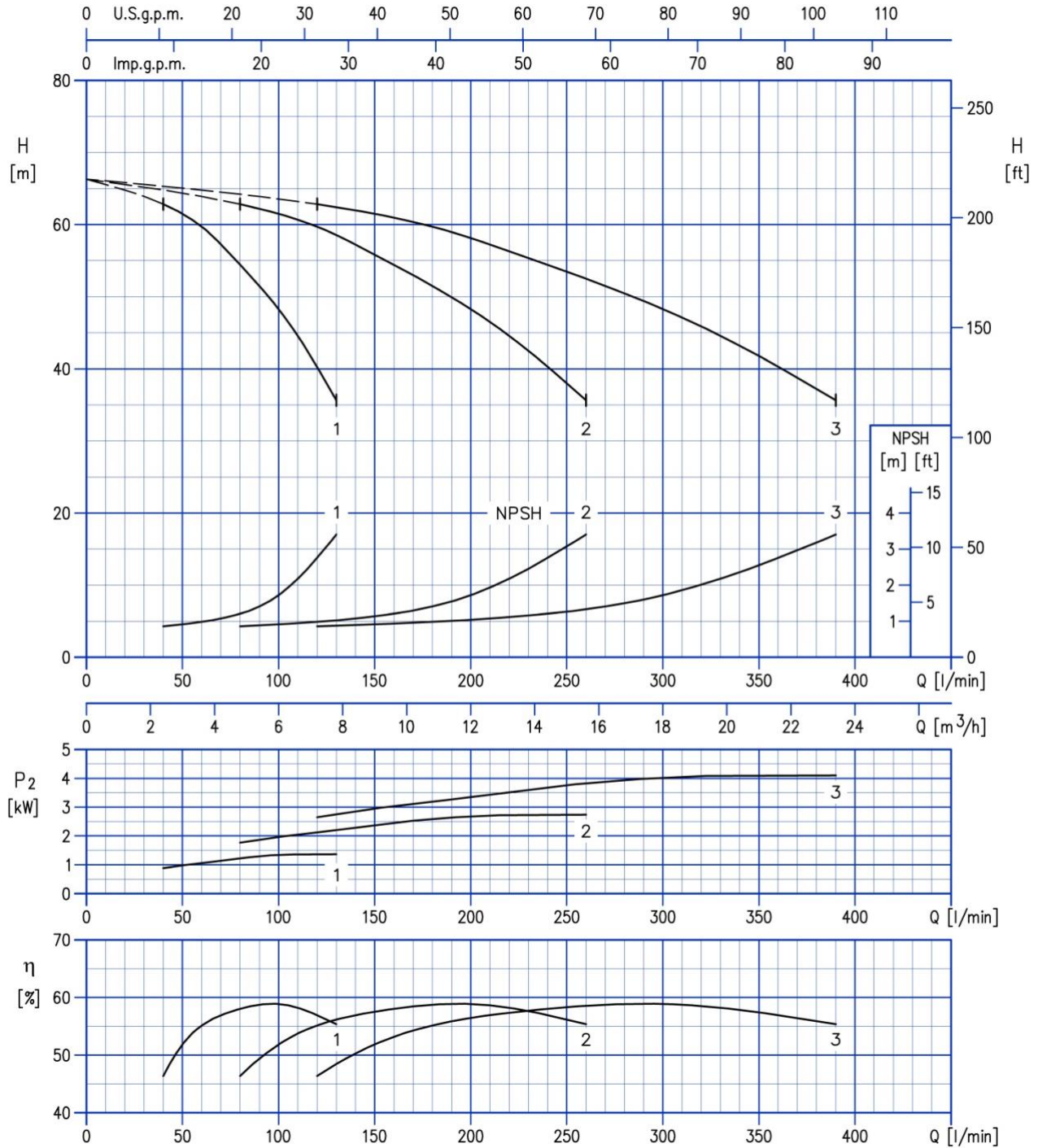
Test standard: ISO 9906: 2012 - Grade 3B

2-3 GP(.) EVMS 5-5/1.1



Test standard: ISO 9906: 2012 - Grade 3B

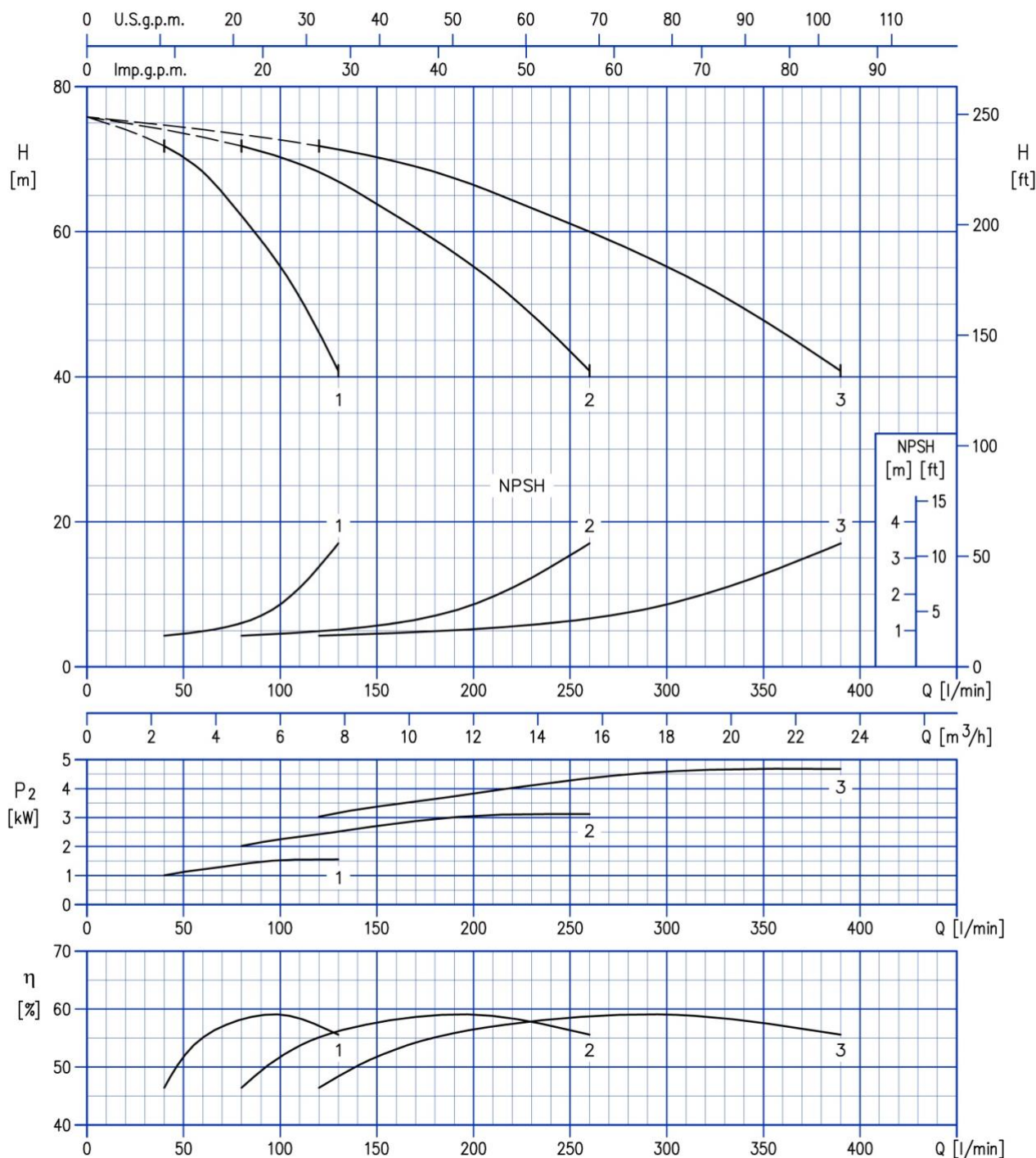
2-3 GP(.) EVMS 5-7/1.5



Test standard: ISO 9906: 2012 - Grade 3B

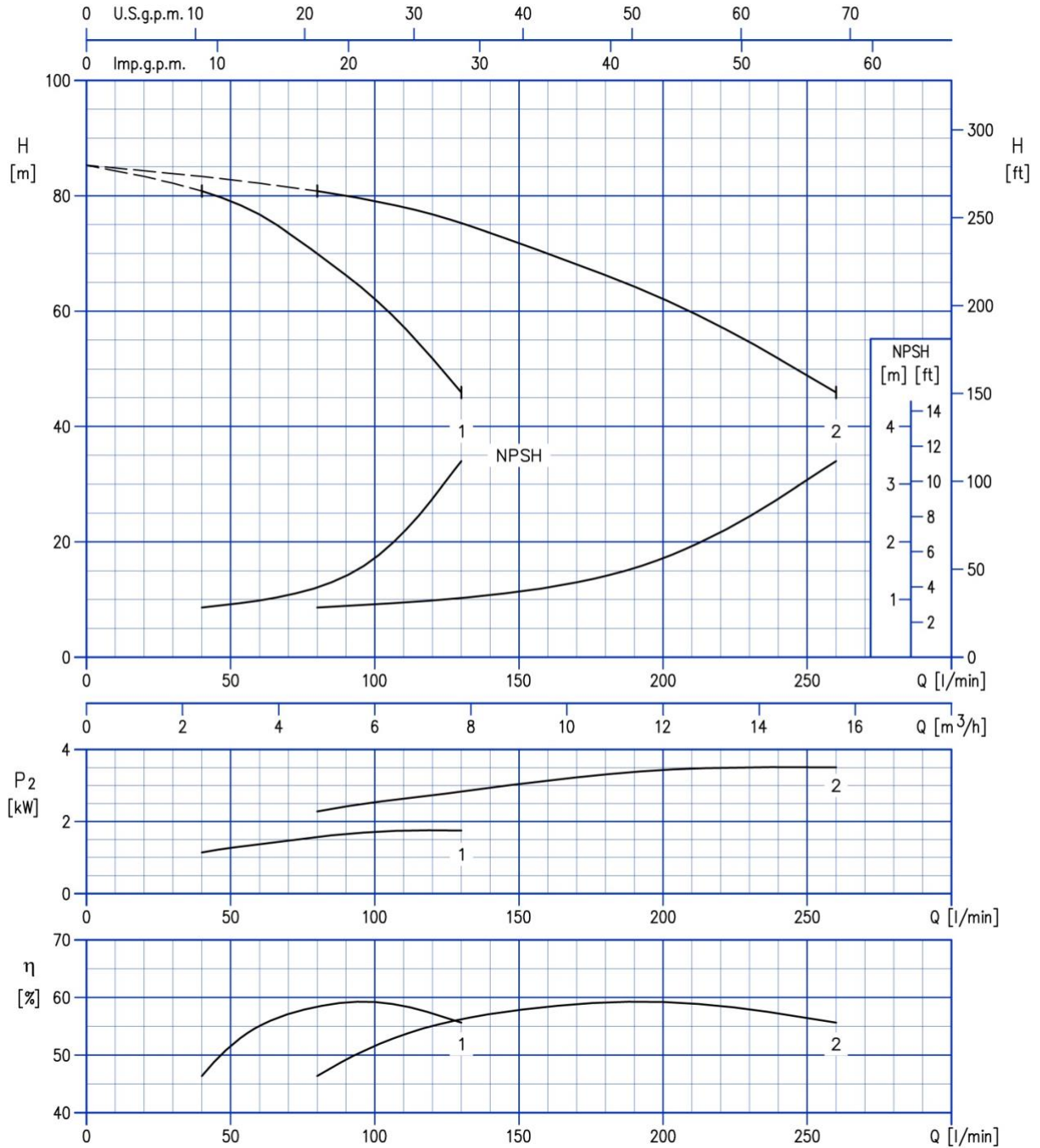
410

2-3 GP(.) EVMS 5-8/2.2



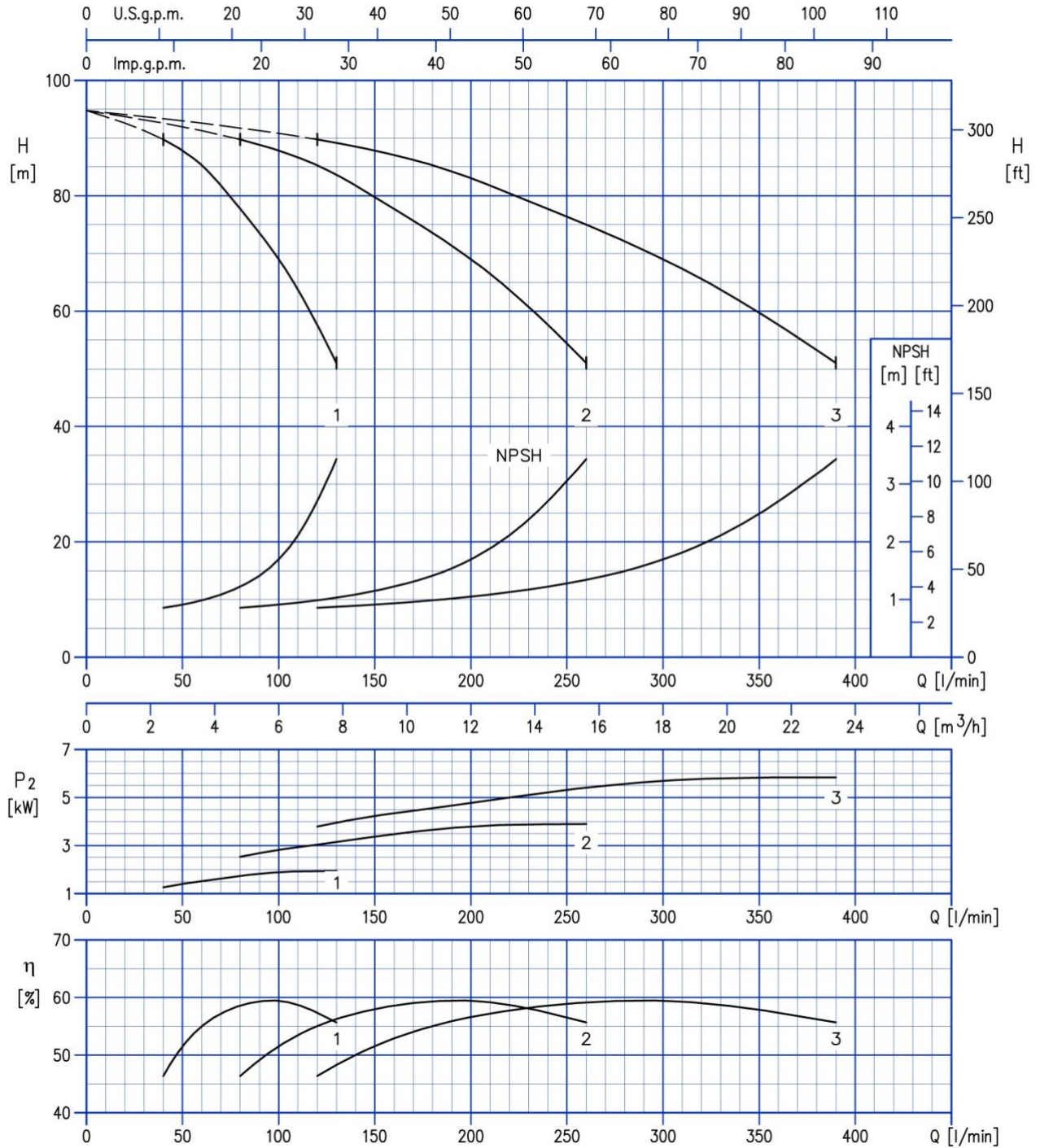
Test standard: ISO 9906: 2012 - Grade 3B

2GP(.) EVMS 5-9/2.2



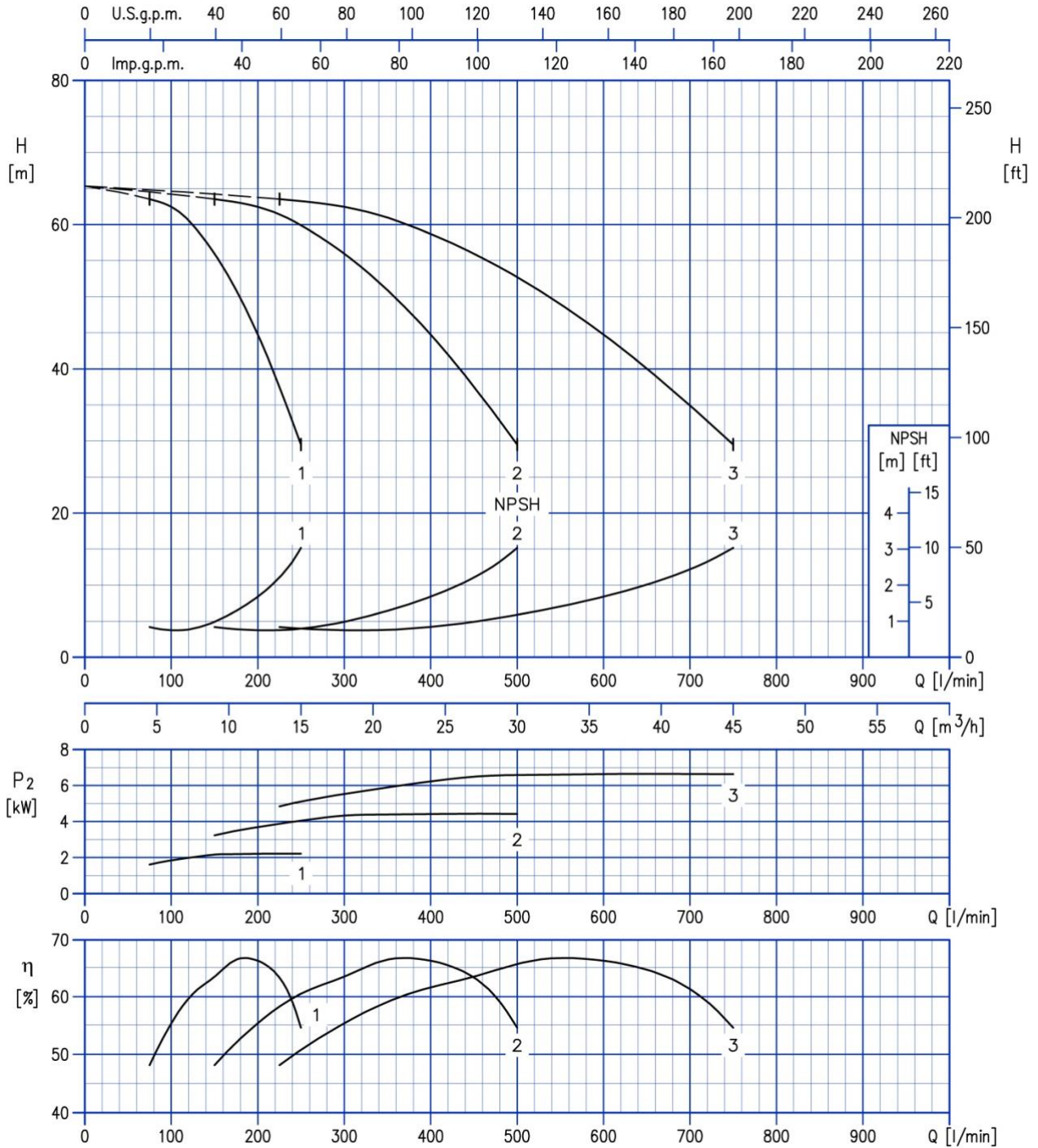
Test standard: ISO 9906: 2012 - Grade 3B

2-3 GP(.) EVMS 5-10/2.2



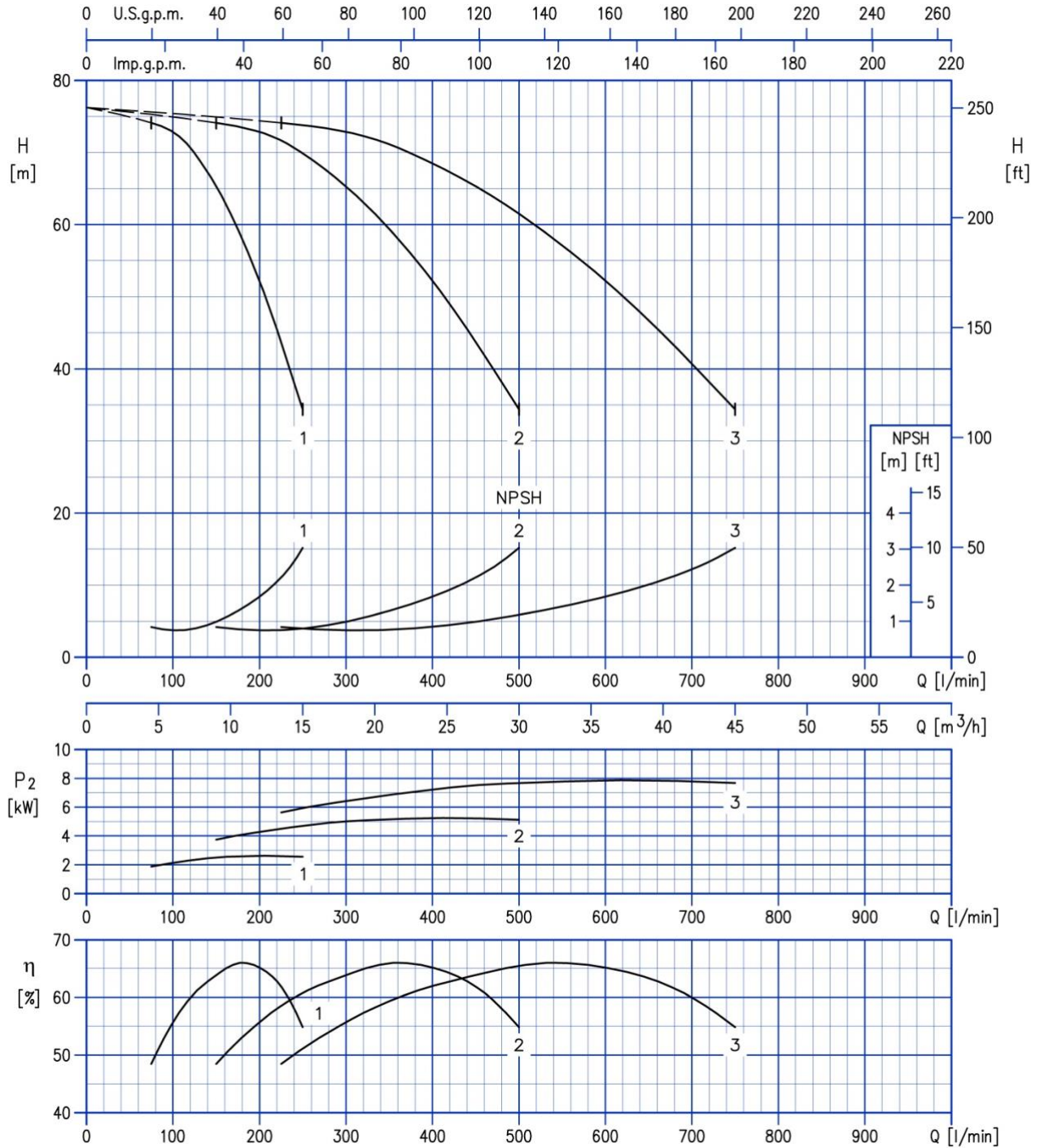
Test standard: ISO 9906: 2012 - Grade 3B

2-3 GP(.) EVMS 10-6/2.2



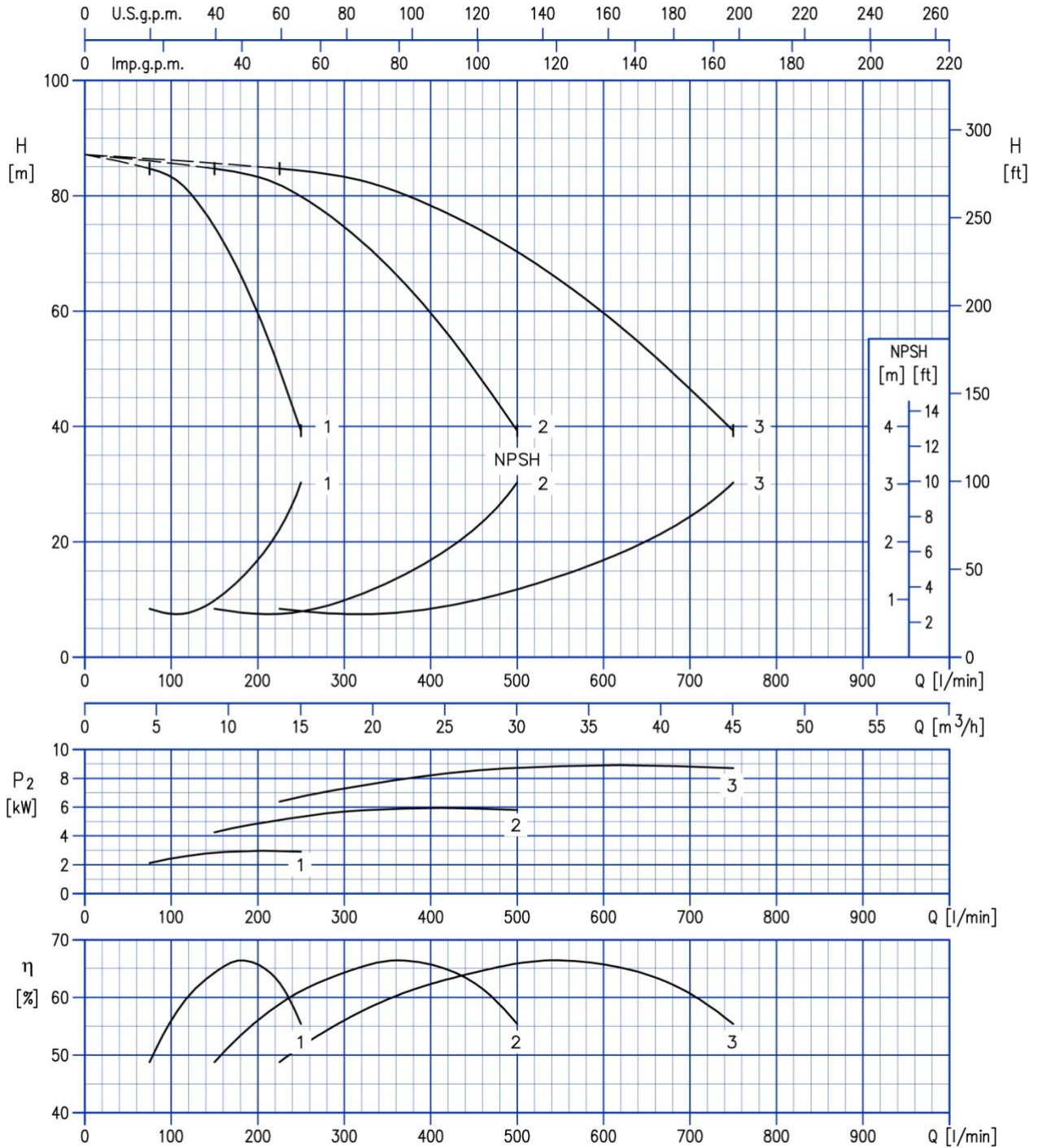
Test standard: ISO 9906: 2012 - Grade 3B

2-3 GP(.) EVMS 10-7/3.0



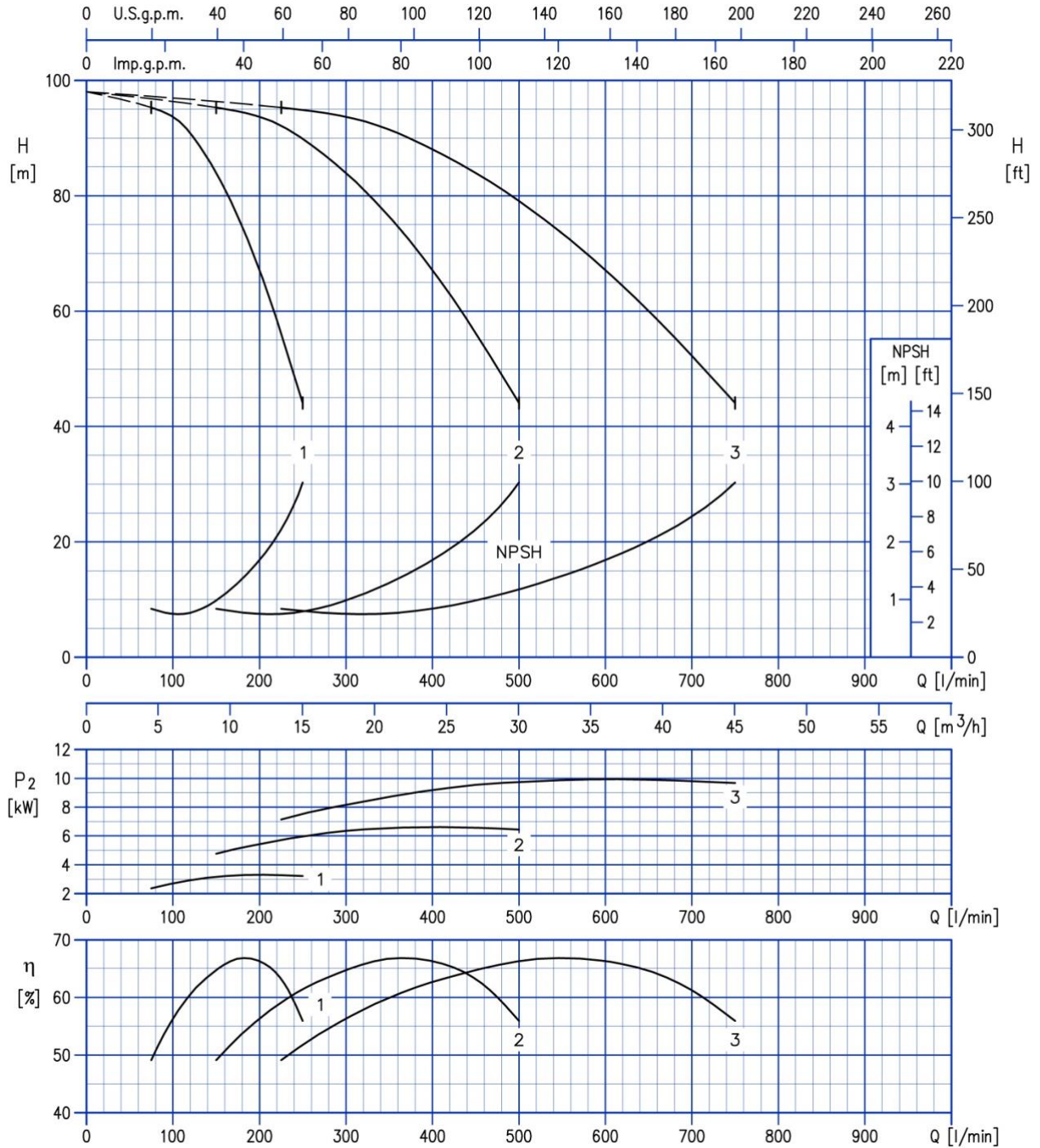
Test standard: ISO 9906: 2012 - Grade 3B

2-3 GP(.) EVMS 10-8/3.0



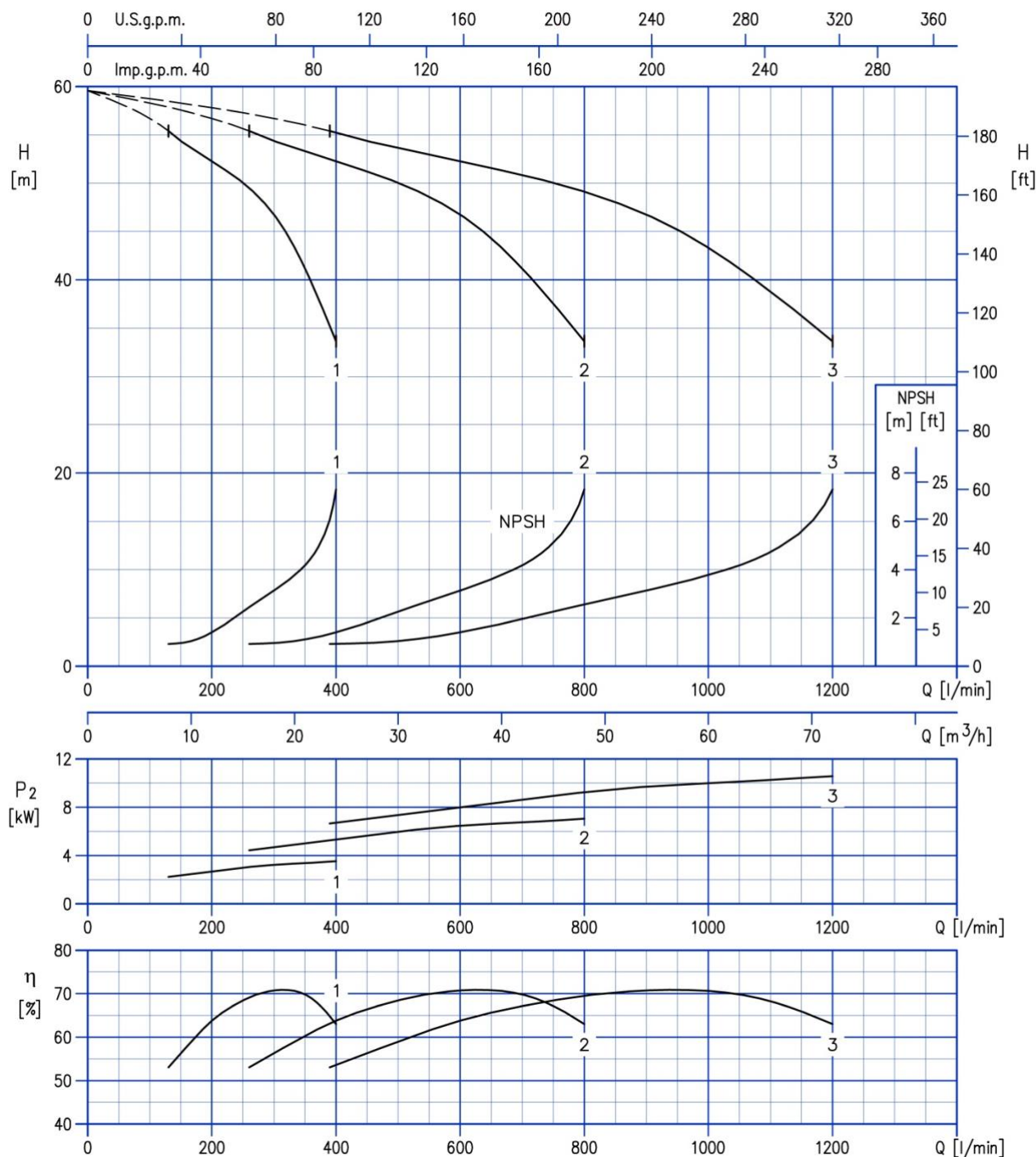
Test standard: ISO 9906: 2012 - Grade 3B

2-3 GP(.) EVMS 10-9/4.0



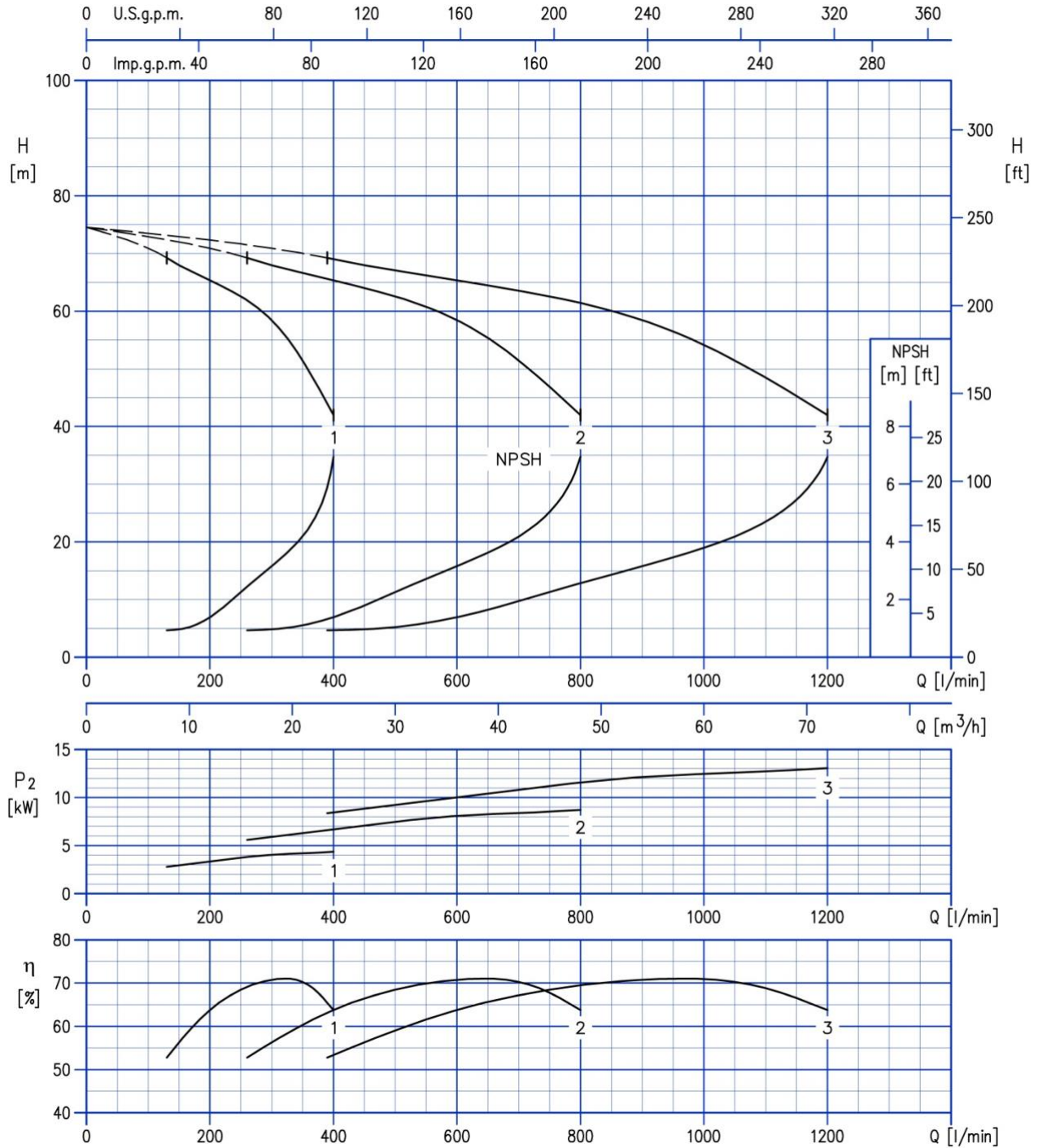
Test standard: ISO 9906: 2012 - Grade 3B

2-3 GP(.) EVMS 15-4/4.0



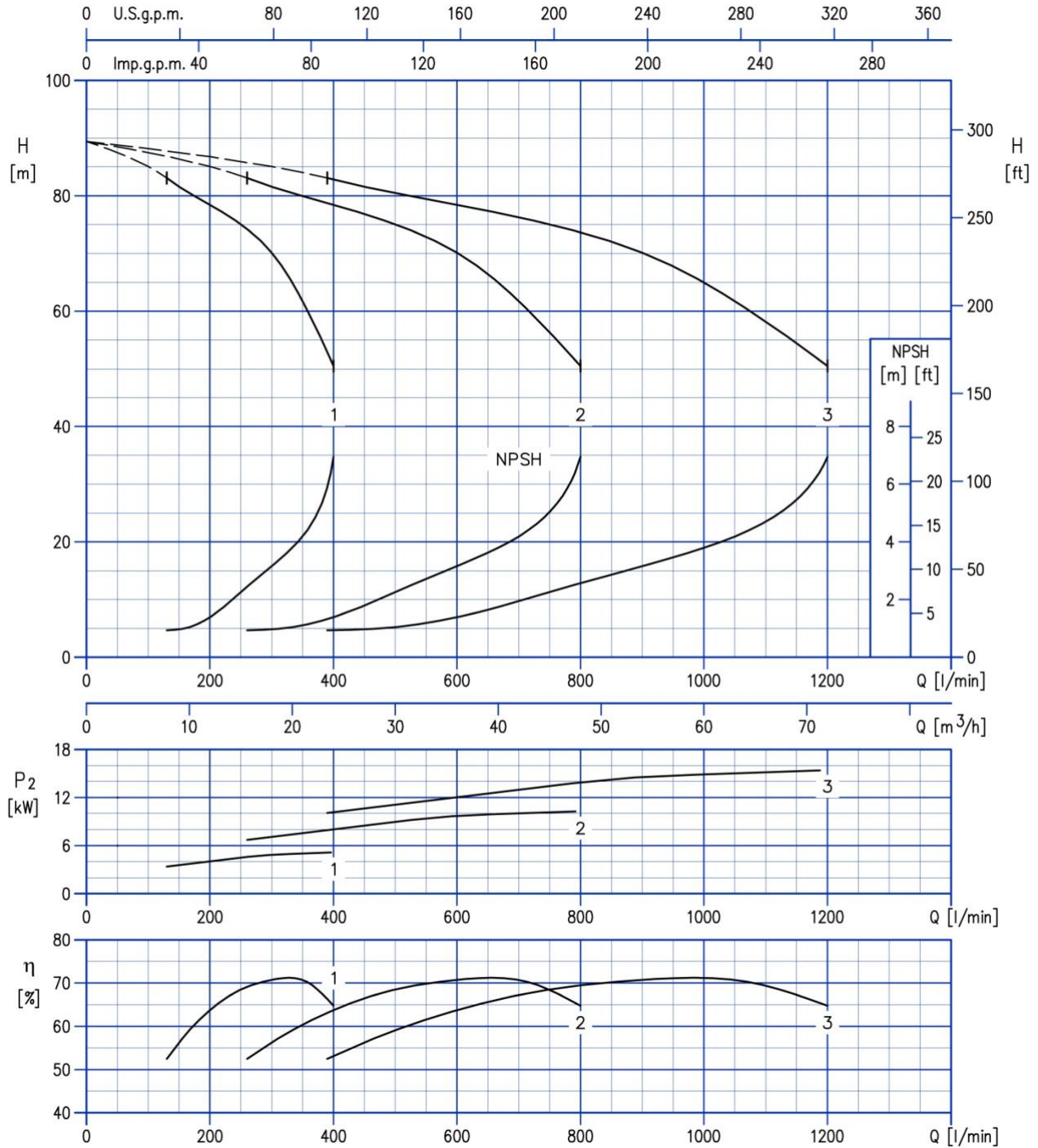
Test standard: ISO 9906: 2012 - Grade 3B

3GP(.) EVMS 15-5/5.5



Test standard: ISO 9906: 2012 - Grade 3B

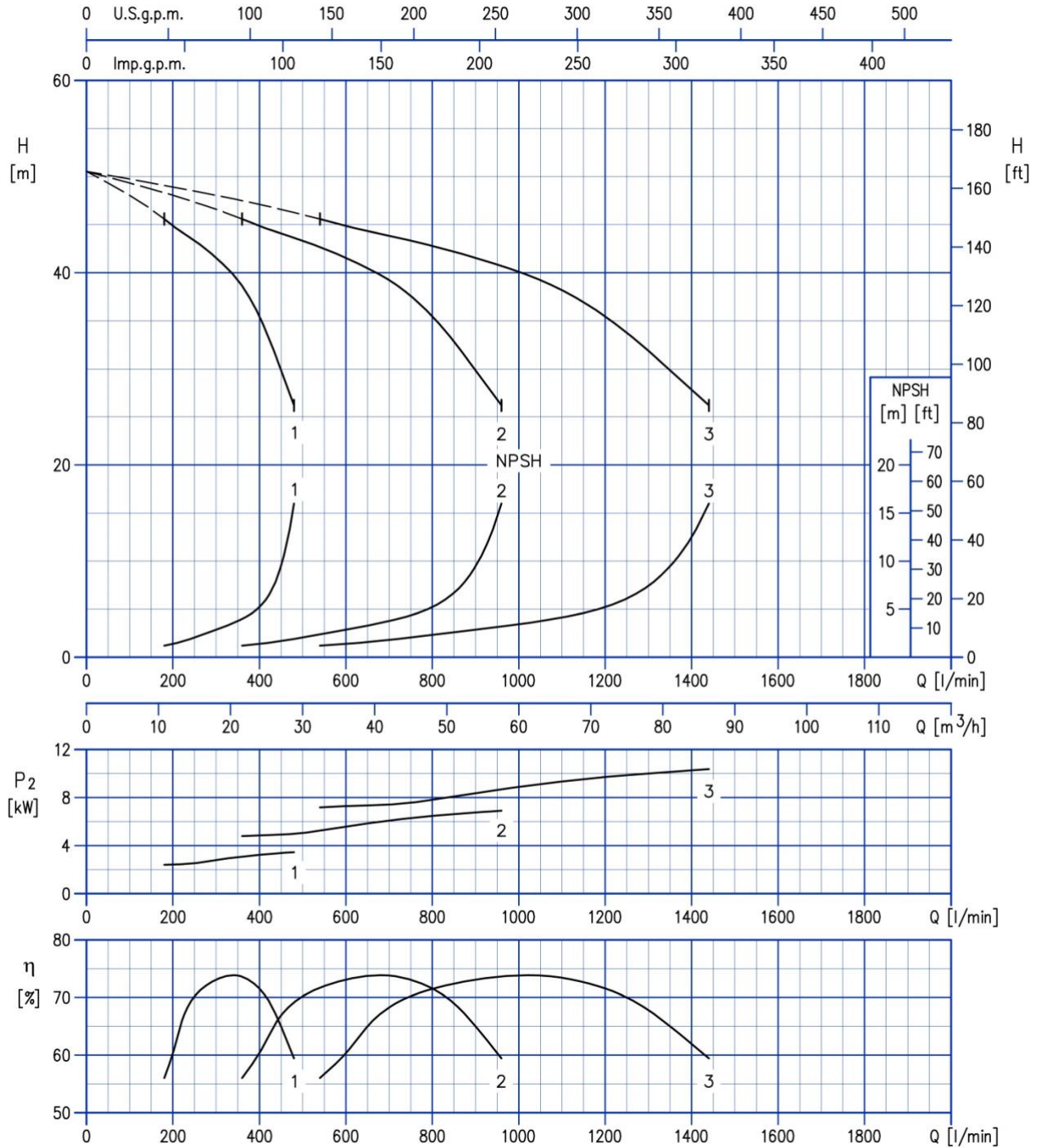
2-3 GP(.) EVMS 15-6/5.5



Test standard: ISO 9906: 2012 - Grade 3B

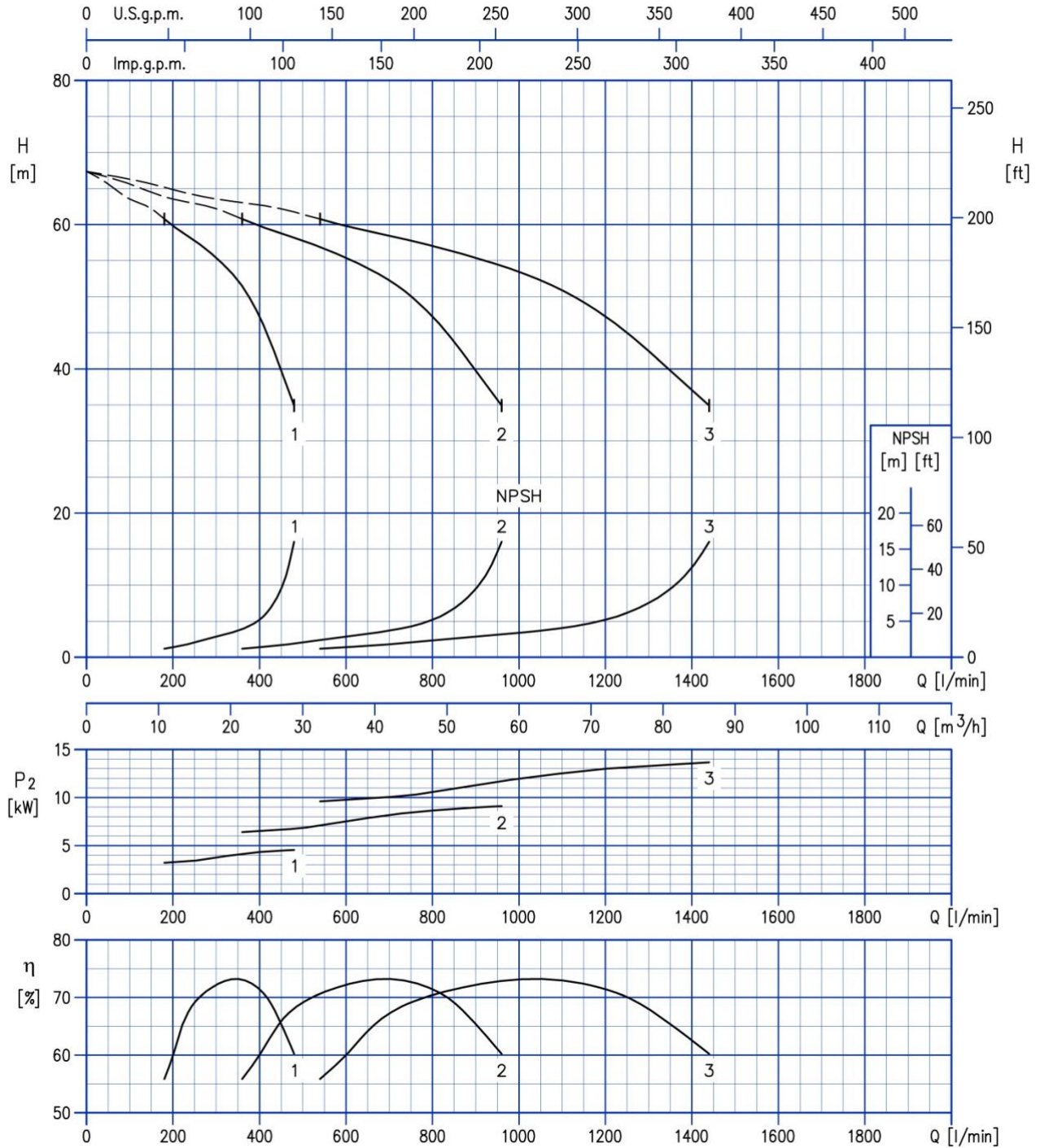
420

2-3 GP(.) EVMS 20-3/4.0



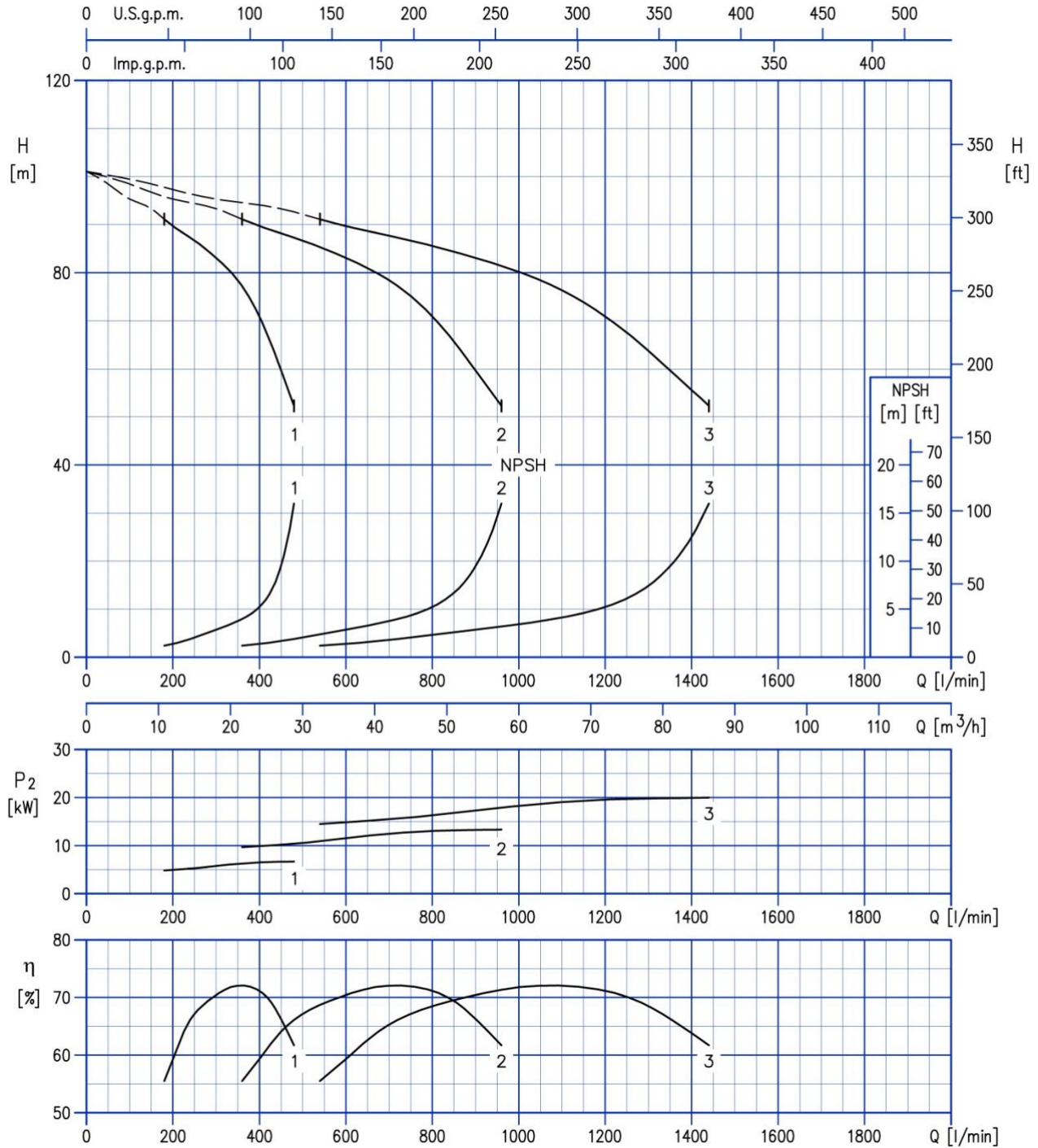
Test standard: ISO 9906: 2012 - Grade 3B

2-3 GP(.) EVMS 20-4/5.5



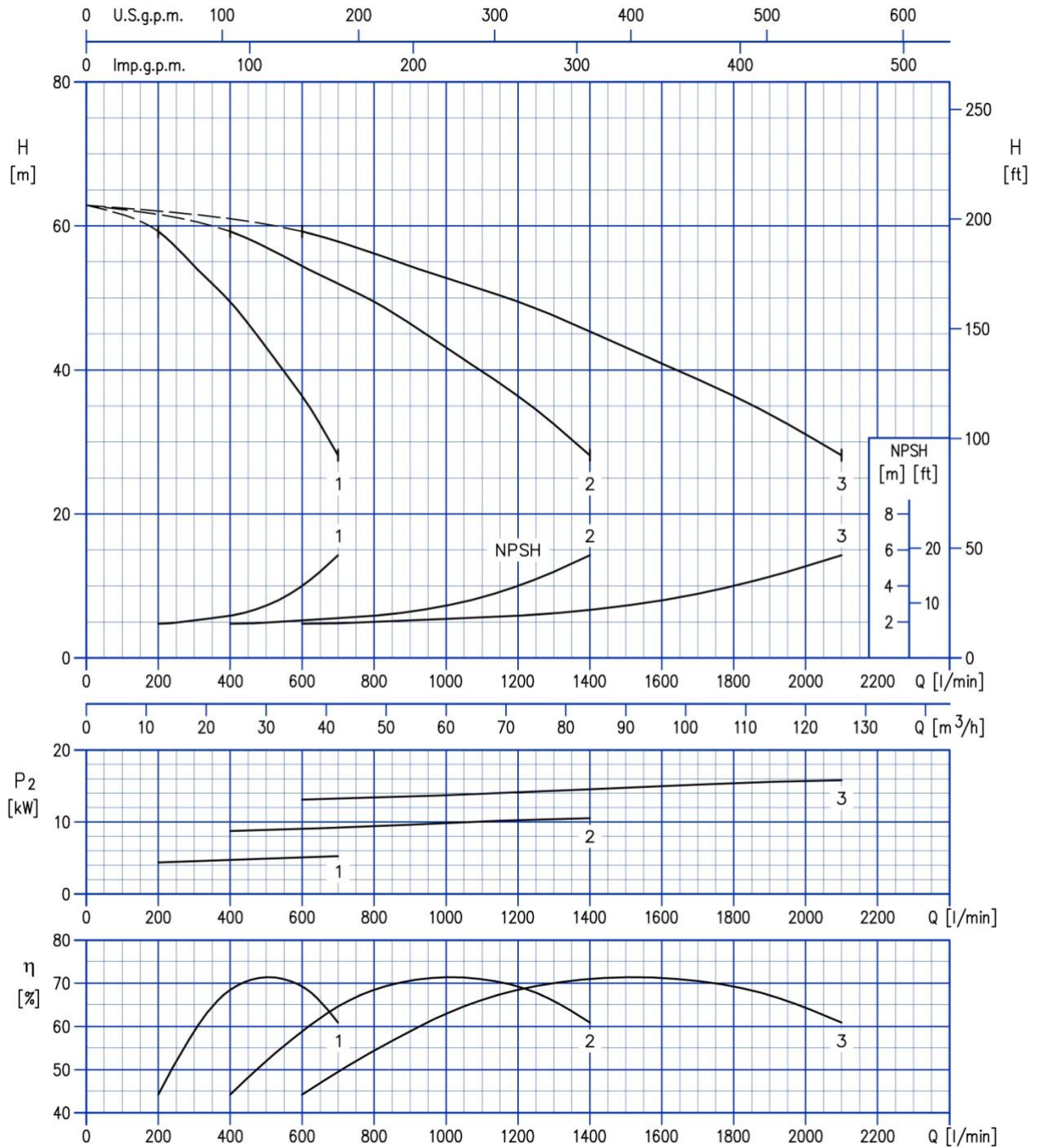
Test standard: ISO 9906: 2012 - Grade 3B

2-3 GP(.) EVMS 20-6/7.5



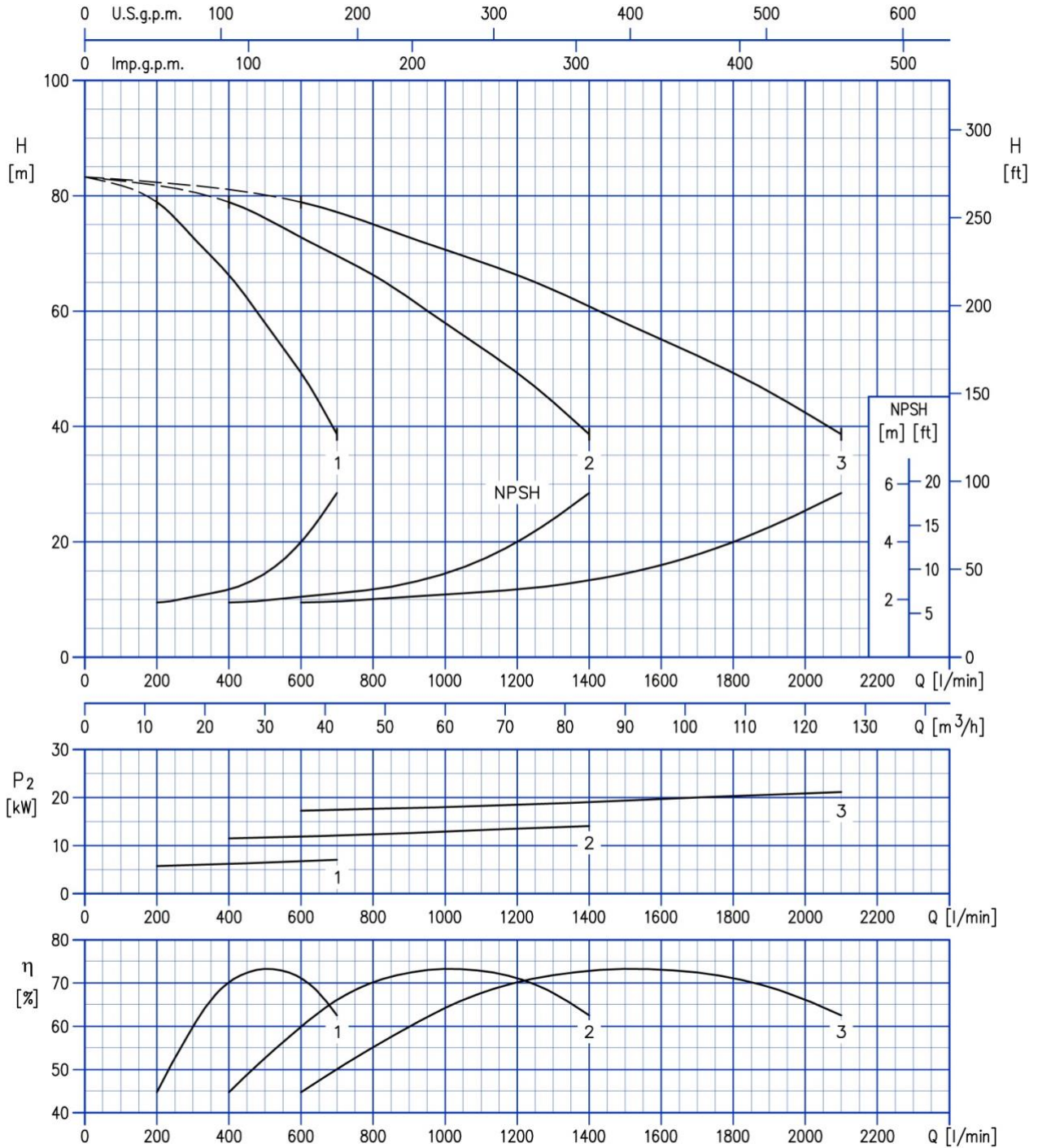
Test standard: ISO 9906: 2012 - Grade 3B

2-3 GP(.) EVMSG 32 3-0/5.5



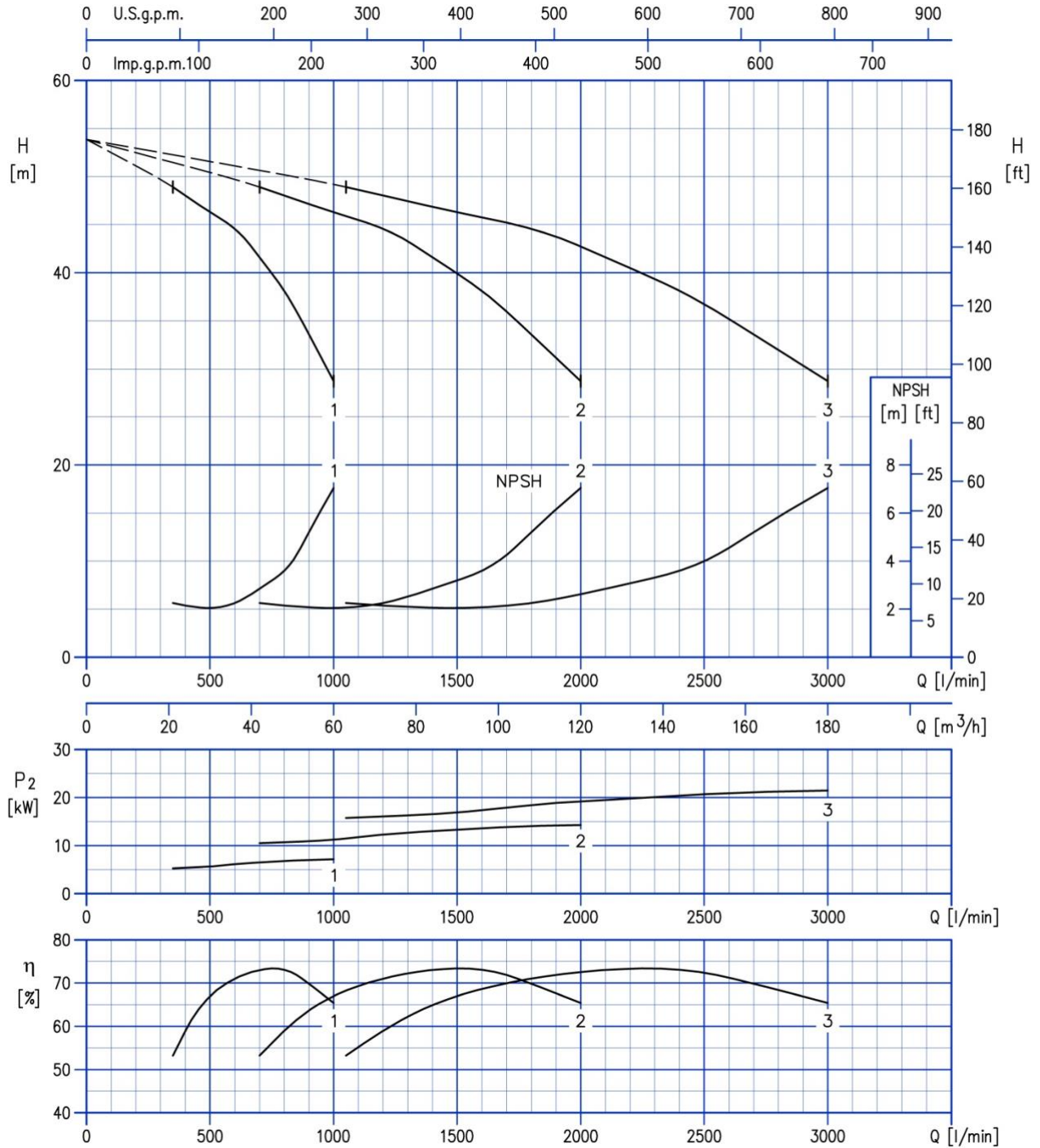
Test standard: ISO 9906: 2012 - Grade 3B

2-3 GP(.) EVMSG 32 4-0/7.5



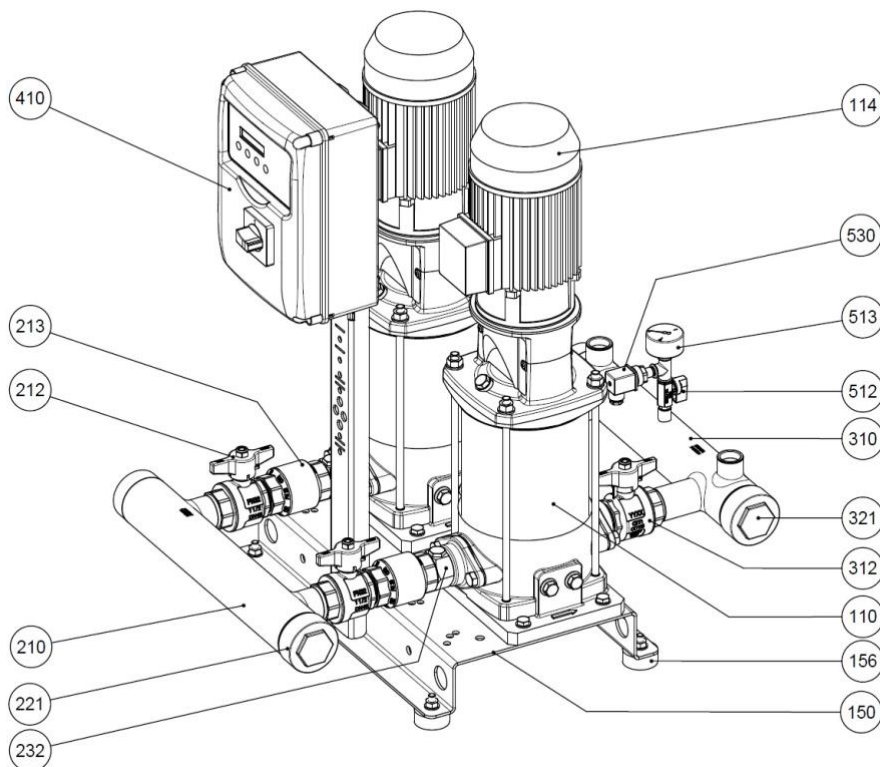
Test standard: ISO 9906: 2012 - Grade 3B

2-3 GP(.) EVMSG 45 2-0/7.5



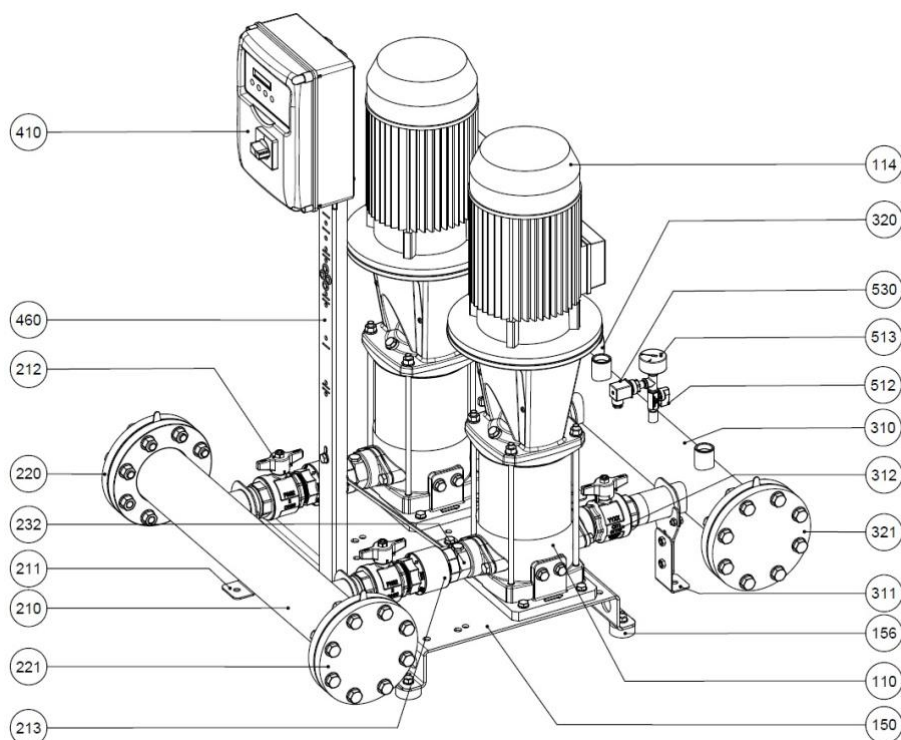
Test standard: ISO 9906: 2012 - Grade 3B

2GP CONSTRUCTION EXTERNAL VIEW 2GP EVMS(.) 3-5-10-15



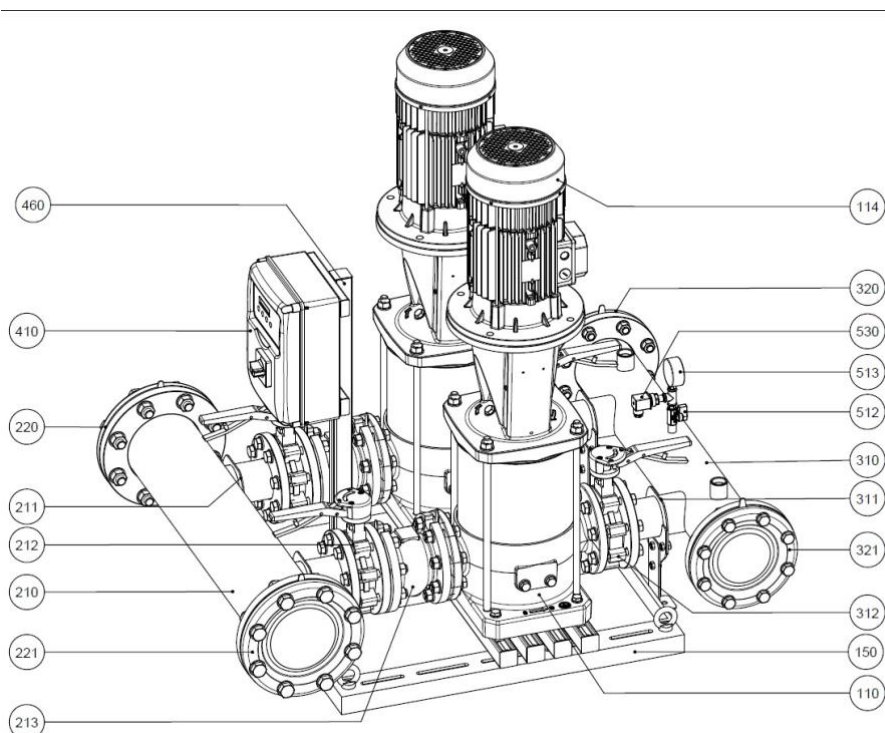
N°	PART NAME	MATERIAL	Quantity
110	Principal pump	-	2
114	Electric motor	-	2
150	Baseplate	Galvanized steel	1
156	Baseplate foot	SBR	4
210	Suction manifold	AISI 304	1
212	Ball valve	Brass / P.T.F.E.	2
213	Check valve	Brass / NBR	2
221	Threaded female cap	AISI 304	1
232	Nipple for air feeders	Yellow brass	2
310	Discharge manifold	AISI 304	1
312	Ball valve	Brass / P.T.F.E.	2
321	Threaded female cap	AISI 304	1
410	Control panel	-	1
460	Control panel frame	Galvanized steel	1
512	Ball valve	Brass / P.T.F.E.	1
513	Pressure gauge	Copper alloy / plastic	1
530	Pressure transmitter	-	1

EXTERNAL VIEW 2GP EVMS(.) 20



N°	PART NAME	MATERIAL	Quantity
110	Principal pump	-	2
114	Electric motor	-	2
150	Baseplate	Galvanized steel	1
156	Baseplate foot	SBR	4
210	Suction manifold	AISI 304	1
211	Manifold bracket	Galvanized steel	2
212	Ball valve	Brass / P.T.F.E.	2
213	Check valve	Brass / NBR	2
220	Counterflange	AISI 304	1
221	Blind counterflange	AISI 304	1
232	Nipple for air feeders	Yellow brass	2
310	Discharge manifold	AISI 304	1
311	Manifold bracket	Galvanized steel	2
312	Ball valve	Brass / P.T.F.E.	2
320	Counterflange	AISI 304	1
321	Blind counterflange	AISI 304	1
410	Control panel	-	1
460	Control panel frame	Galvanized steel	1
512	Ball valve	Brass / P.T.F.E.	1
513	Pressure gauge	Copper alloy / plastic	1
530	Pressure transmitter	-	1

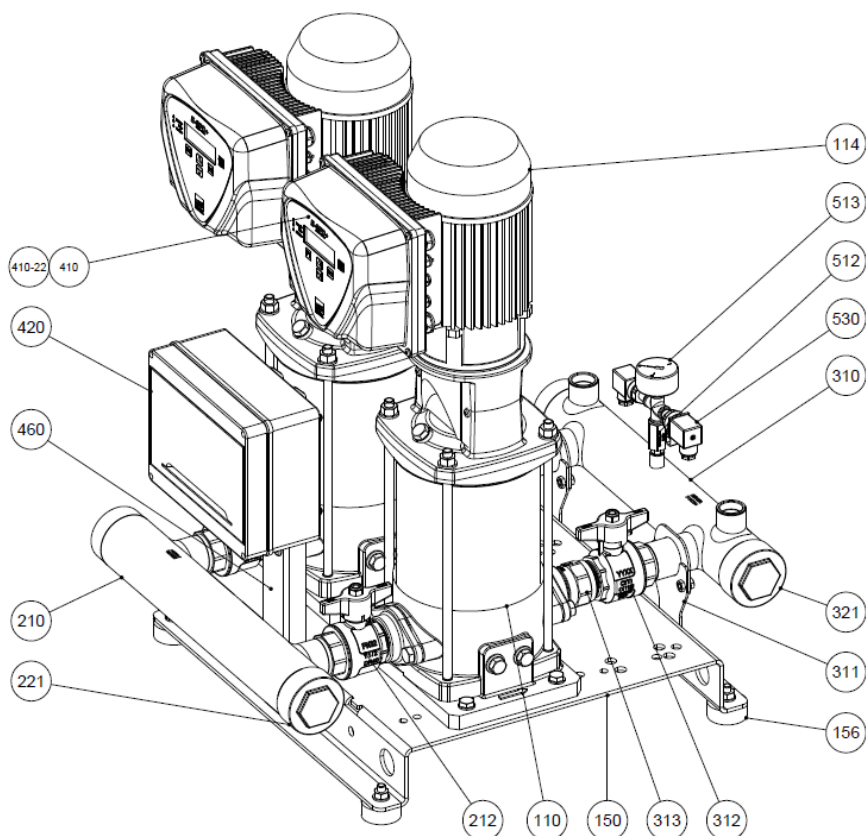
EXTERNAL VIEW 2GP EVMSG 32-45



N°	PART NAME	MATERIAL	Quantity
110	Principal pump	-	2
114	Electric motor	-	2
150	Frame	Galvanized steel	1
210	Suction manifold	Galvanized steel	1
211	Manifold bracket	Galvanized steel	2
212	Butterfly valve (Lug)	Cast iron EN GJL 250 (JL 1040)	2
213	Check valve (Clapet)	Cast iron EN 1561 EN-GJL-250	2
220	Counterflange	Galvanized steel	1
221	Blind counterflange	Galvanized steel	1
310	Discharge manifold	Galvanized steel	1
311	Manifold bracket	Galvanized steel	2
312	Butterfly valve (Lug)	Cast iron EN GJL 250 (JL 1040)	2
320	Counterflange	Galvanized steel	1
321	Blind counterflange	Galvanized steel	1
410	Control panel	-	1
460	Control panel frame	Galvanized steel	1
512	Ball valve	Brass / P.T.F.E.	1
513	Pressure gauge	Copper alloy / plastic	1
530	Pressure transmitter	-	1

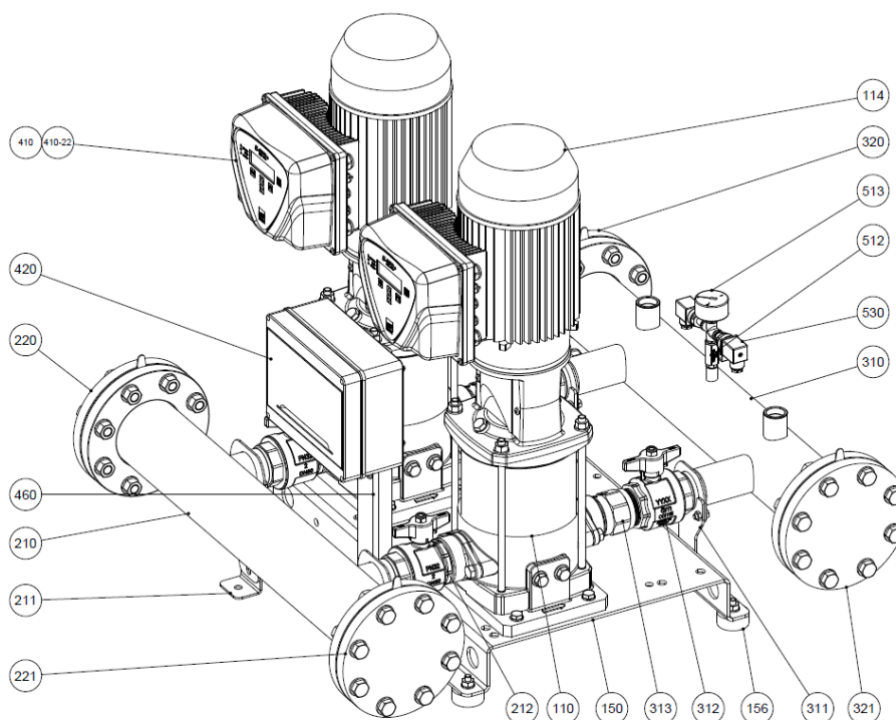
2GPE CONSTRUCTION

EXTERNAL VIEW 2GPE EVMS(.) 3-5-10-15 E-SPD+



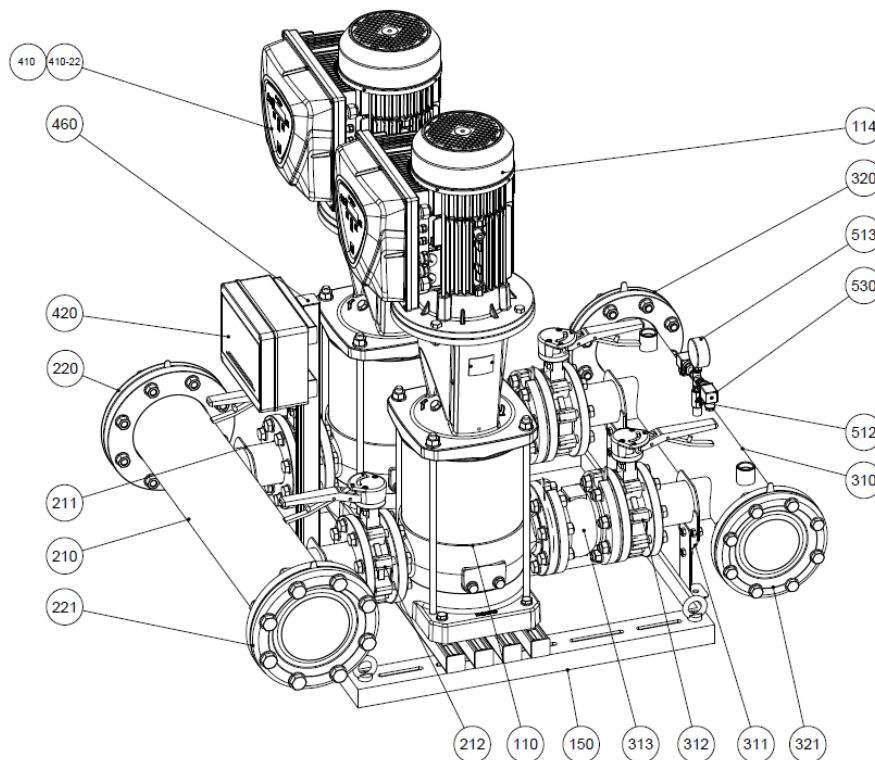
N°	PART NAME	MATERIAL	Quantity
110	Principal pump	-	2
114	Electric motor	-	2
150	Baseplate	Galvanized steel	1
156	Baseplate foot	SBR	4
210	Suction manifold	AISI 304	1
212	Ball valve	Brass / P.T.F.E.	2
221	Threaded female cap	AISI 304	1
310	Discharge manifold	AISI 304	1
311	Manifold bracket	Galvanized steel	2
312	Ball valve	Brass / P.T.F.E.	2
313	Check valve	Brass / NBR	2
321	Threaded female cap	AISI 304	1
410	E-SPD+	-	2
410-22	E-SPD+ adaptor	-	2
420	Protection panel	-	1
460	Protection panel frame	Galvanized steel	1
512	Ball valve	Brass / P.T.F.E.	1
513	Pressure gauge	Copper alloy / plastic	1
530	Pressure transmitter	-	2

EXTERNAL VIEW 2GPE EVMS(.) 20 E-SPD+



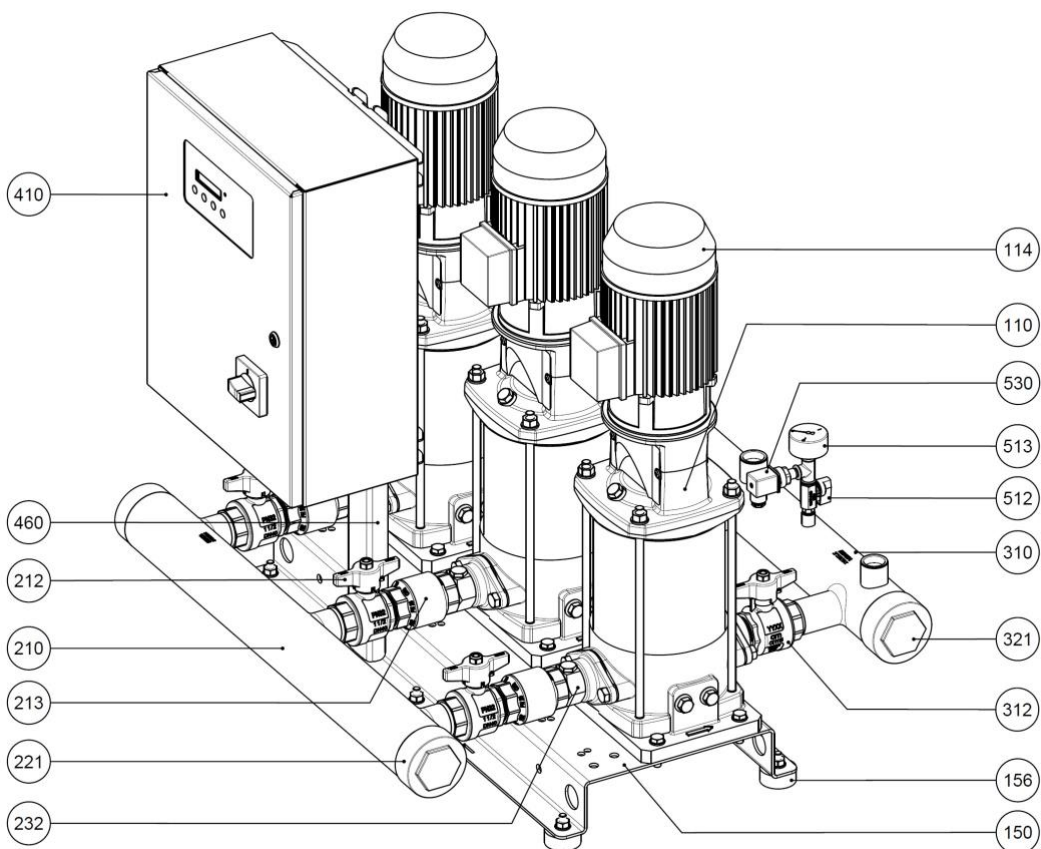
N°	PART NAME	MATERIAL	Quantity
110	Principal pump	-	2
114	Electric motor	-	2
150	Baseplate	Galvanized steel	1
156	Baseplate foot	SBR	4
210	Suction manifold	AISI 304	1
211	Manifold bracket	Galvanized steel	2
212	Ball valve	Brass / P.T.F.E.	2
220	Counterflange	AISI 304	1
221	Blind counterflange	AISI 304	1
310	Discharge manifold	AISI 304	1
311	Manifold bracket	Galvanized steel	2
312	Ball valve	Brass / P.T.F.E.	2
313	Check valve	Brass / NBR	2
320	Counterflange	AISI 304	1
321	Blind counterflange	AISI 304	1
410	E-SPD+	-	2
410-22	E-SPD+ adaptor	-	2
420	Protection panel	-	1
460	Protection panel frame	Galvanized steel	1
512	Ball valve	Brass / P.T.F.E.	1
513	Pressure gauge	Copper alloy / plastic	1
530	Pressure transmitter	-	2

EXTERNAL VIEW 2GPE EVMSG 32-45 E-SPD+



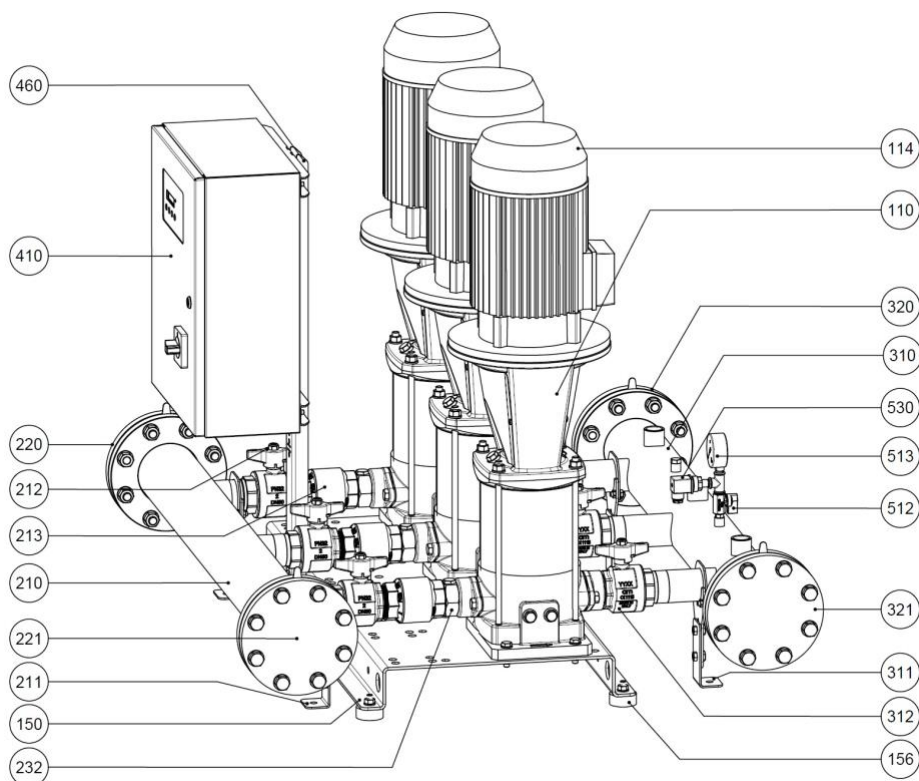
N°	PART NAME	MATERIAL	Quantity
110	Principal pump	-	2
114	Electric motor	-	2
150	Frame	Galvanized steel	1
210	Suction manifold	Galvanized steel	1
211	Manifold bracket	Galvanized steel	2
212	Butterfly valve (Lug)	Cast iron EN GJL 250 (JL 1040)	2
220	Counterflange	Galvanized steel	1
221	Blind counterflange	Galvanized steel	1
310	Discharge manifold	Galvanized steel	1
311	Manifold bracket	Galvanized steel	2
312	Butterfly valve (Lug)	Cast iron EN GJL 250 (JL 1040)	2
313	Check valve (Clapet)	Cast iron EN 1561 EN-GJL-250	2
320	Counterflange	Galvanized steel	1
321	Blind counterflange	Galvanized steel	1
410	E-SPD+	-	2
410-22	E-SPD+ adaptor	-	2
420	Protection panel	-	1
460	Control panel frame	Galvanized steel	1
512	Ball valve	Brass / P.T.F.E.	1
513	Pressure gauge	Copper alloy / plastic	1
530	Pressure transmitter	-	2

3GP CONSTRUCTION EXTERNAL VIEW 3GP EVMS(.) 3-5-10



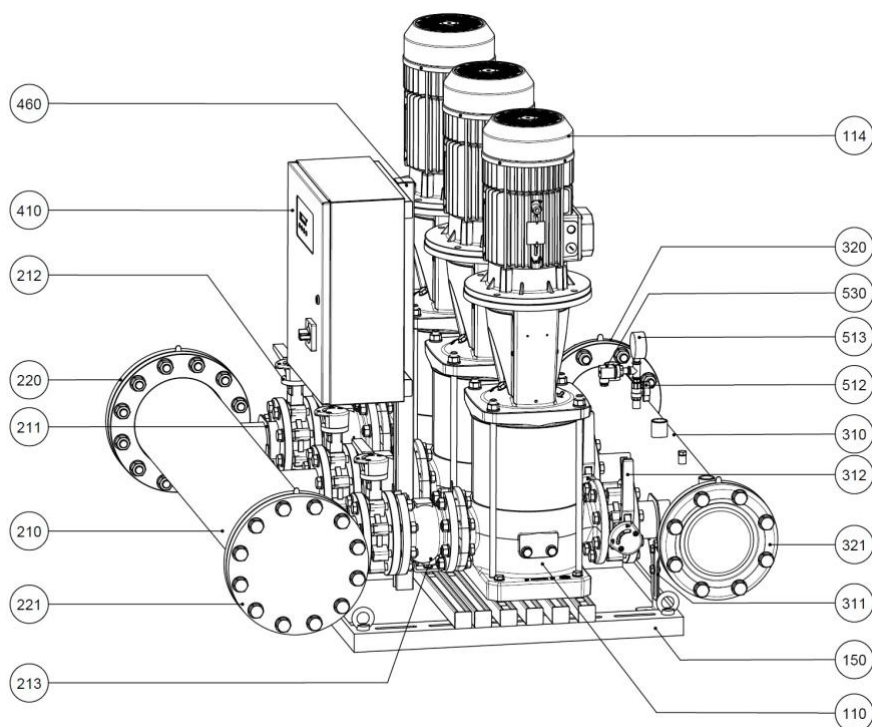
N°	PART NAME	MATERIAL	Quantity
110	Principal pump	-	3
114	Electric motor	-	3
150	Baseplate	Galvanized steel	1
156	Baseplate foot	SBR	6
210	Suction manifold	AISI 304	1
212	Ball valve	Brass / P.T.F.E.	3
213	Check valve	Brass / NBR	3
221	Threaded female cap	AISI 304	1
232	Nipple for air feeders	Yellow brass	3
310	Discharge manifold	AISI 304	1
312	Ball valve	Brass / P.T.F.E.	3
321	Threaded female cap	AISI 304	1
410	Control panel	-	1
460	Control panel frame	Galvanized steel	1
512	Ball valve	Brass / P.T.F.E.	1
513	Pressure gauge	Copper alloy / plastic	1
530	Pressure transmitter	-	1

EXTERNAL VIEW 3GP EVMS(.) 15-20



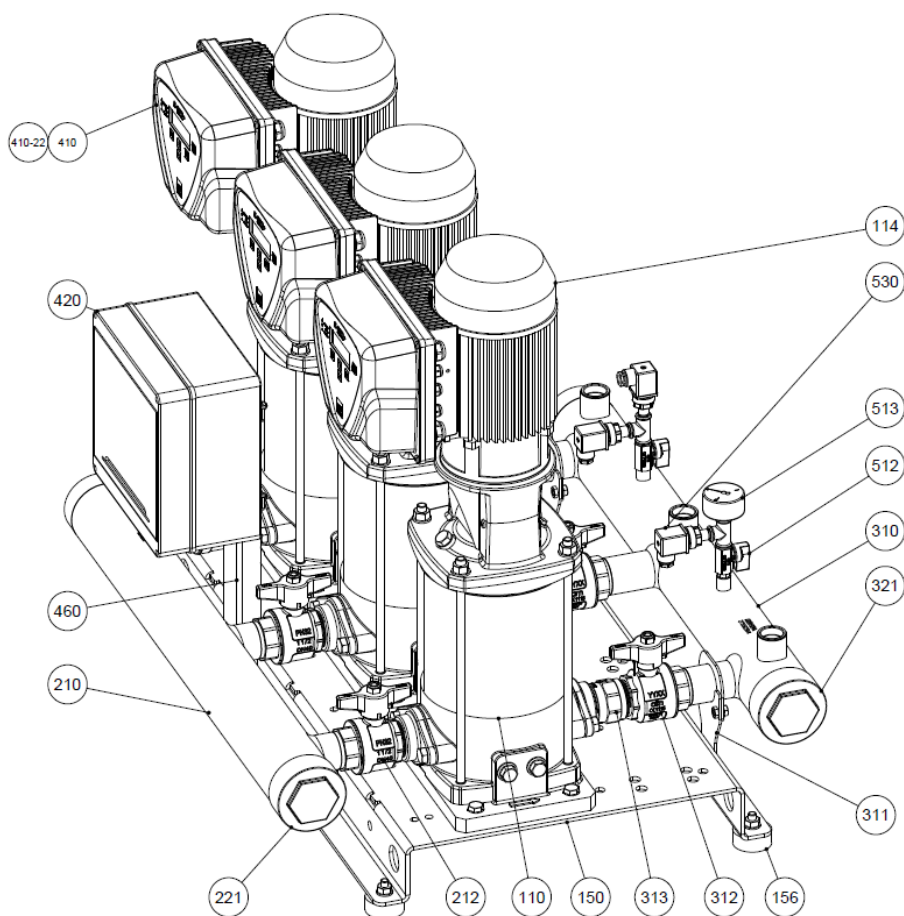
N°	PART NAME	MATERIAL	Quantity
110	Principal pump	-	3
114	Electric motor	-	3
150	Baseplate	Galvanized steel	1
156	Baseplate foot	SBR	6
210	Suction manifold	AISI 304	1
211	Manifold bracket	Galvanized steel	2
212	Ball valve	Brass / P.T.F.E.	3
213	Check valve	Brass / NBR	3
220	Counterflange	AISI 304	1
221	Blind counterflange	AISI 304	1
232	Nipple for air feeders	Yellow brass	3
310	Discharge manifold	AISI 304	1
311	Manifold bracket	Galvanized steel	2
312	Ball valve	Brass / P.T.F.E.	3
320	Counterflange	AISI 304	1
321	Blind counterflange	AISI 304	1
410	Control panel	-	1
460	Control panel frame	Galvanized steel	1
512	Ball valve	Brass / P.T.F.E.	1
513	Pressure gauge	Copper alloy / plastic	1
530	Pressure transmitter	-	1

EXTERNAL VIEW 3GP EVMS(.) 32-45



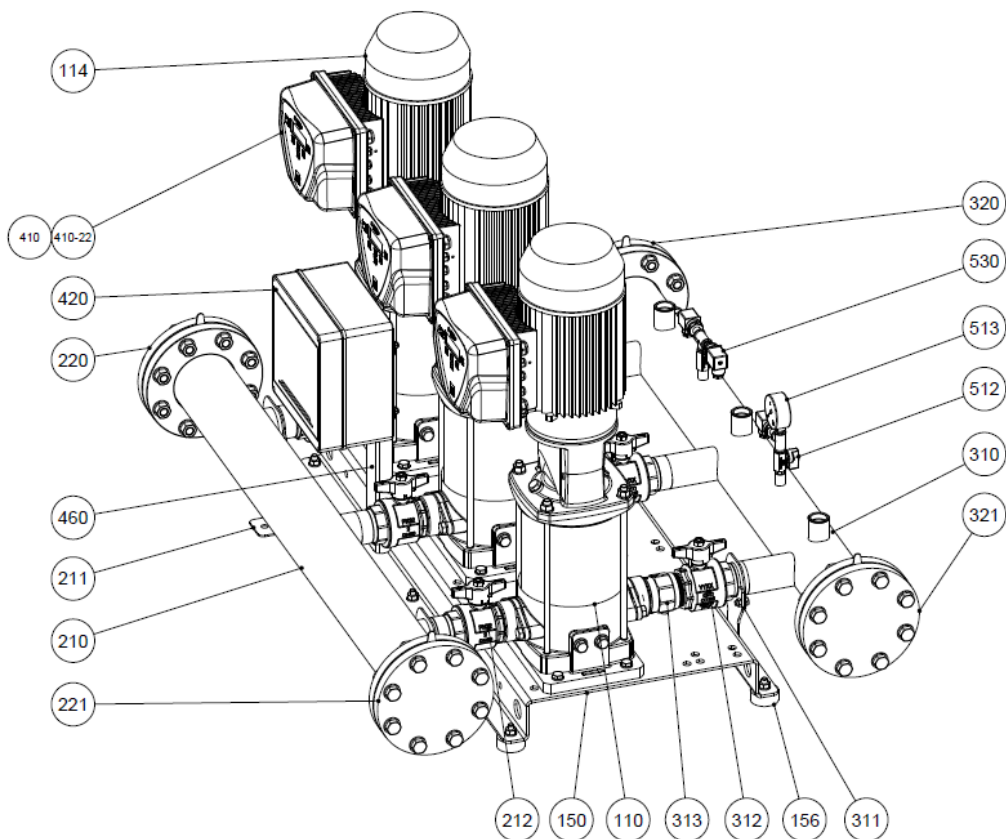
N°	PART NAME	MATERIAL	Quantity
110	Principal pump	-	3
114	Electric motor	-	3
150	Frame	Galvanized steel	1
210	Suction manifold	Galvanized steel	1
211	Manifold bracket	Galvanized steel	2
212	Butterfly valve (Lug)	Cast iron EN GJL 250 (JL 1040)	3
213	Check valve (Clapet)	Cast iron EN 1561 EN-GJL-250	3
220	Counterflange	Galvanized steel	1
221	Blind counterflange	Galvanized steel	1
310	Discharge manifold	Galvanized steel	1
311	Manifold bracket	Galvanized steel	2
312	Butterfly valve (Lug)	Cast iron EN GJL 250 (JL 1040)	3
320	Counterflange	Galvanized steel	1
321	Blind counterflange	Galvanized steel	1
410	Control panel	-	1
460	Control panel frame	Galvanized steel	1
512	Ball valve	Brass / P.T.F.E.	1
513	Pressure gauge	Copper alloy / plastic	1
530	Pressure transmitter	-	1

EXTERNAL VIEW 3GPE EVMS(.) 3-5-10 E-SPD+



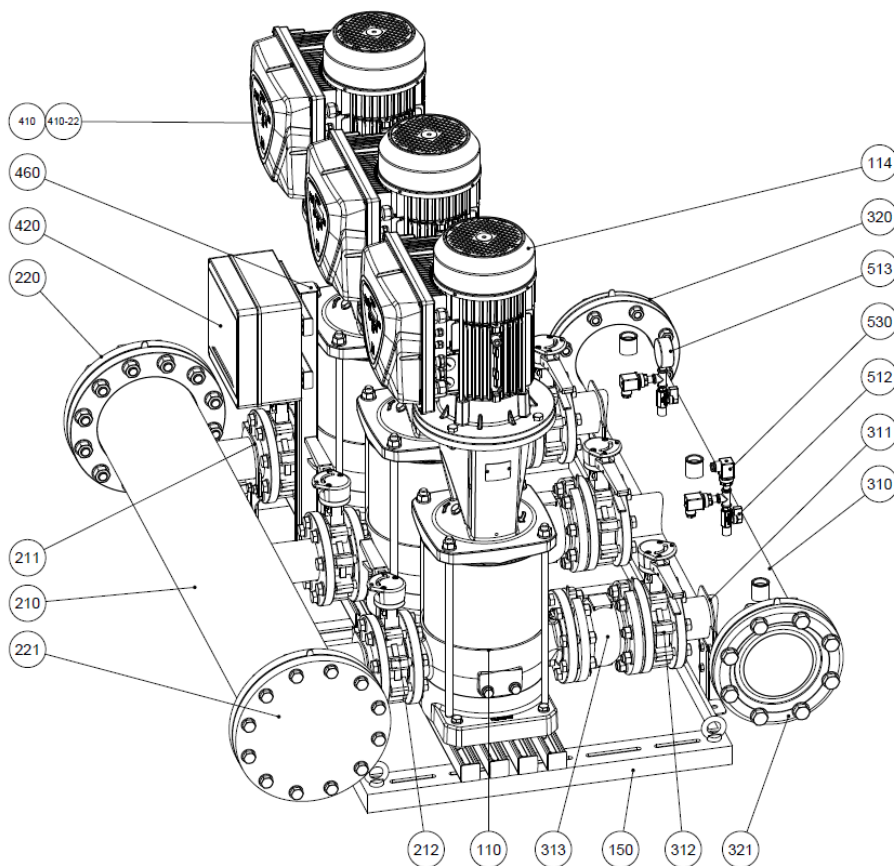
N°	PART NAME	MATERIAL	Quantity
110	Principal pump	-	3
114	Electric motor	-	3
150	Baseplate	Galvanized steel	1
156	Baseplate foot	SBR	6
210	Suction manifold	AISI 304	1
211	Manifold bracket	Galvanized steel	2
212	Ball valve	Brass / P.T.F.E.	3
221	Threaded female cap	AISI 304	1
310	Discharge manifold	AISI 304	1
311	Manifold bracket	Galvanized steel	2
312	Ball valve	Brass / P.T.F.E.	3
313	Check valve	Brass / NBR	3
321	Threaded female cap	AISI 304	1
410	E-SPD+	-	3
410-22	E-SPD+ adaptor	-	3
420	Protection panel	-	1
460	Protection panel frame	Galvanized steel	1
512	Ball valve	Brass / P.T.F.E.	2
513	Pressure gauge	Copper alloy / plastic	1
530	Pressure transmitter	-	3

EXTERNAL VIEW 3GPE EVM(.) 15-20 E-SPD+



N°	PART NAME	MATERIAL	Quantity
110	Principal pump	-	3
114	Electric motor	-	3
150	Baseplate	Galvanized steel	1
156	Baseplate foot	SBR	6
210	Suction manifold	AISI 304	1
211	Manifold bracket	Galvanized steel	2
212	Ball valve	Brass / P.T.F.E.	3
220	Counterflange	AISI 304	1
221	Blind counterflange	AISI 304	1
310	Discharge manifold	AISI 304	1
311	Manifold bracket	Galvanized steel	2
312	Ball valve	Brass / P.T.F.E.	3
313	Check valve	Brass / NBR	3
320	Counterflange	AISI 304	1
321	Blind counterflange	AISI 304	1
410	E-SPD+	-	3
410-22	E-SPD+ adaptor	-	3
420	Protection panel	-	1
460	Protection panel frame	Galvanized steel	1
512	Ball valve	Brass / P.T.F.E.	2
513	Pressure gauge	Copper alloy / plastic	1
530	Pressure transmitter	-	3

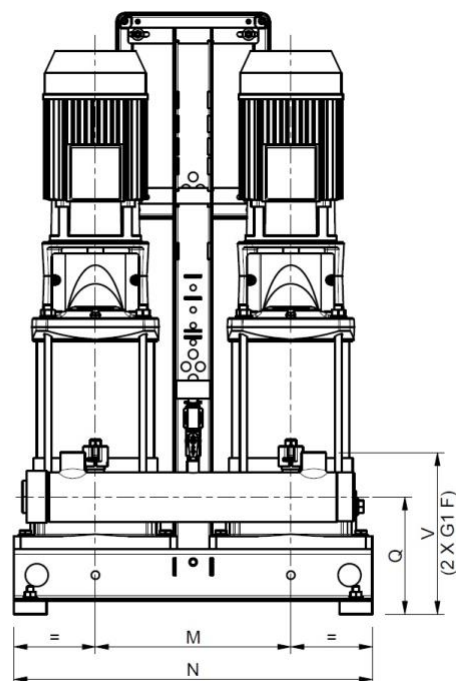
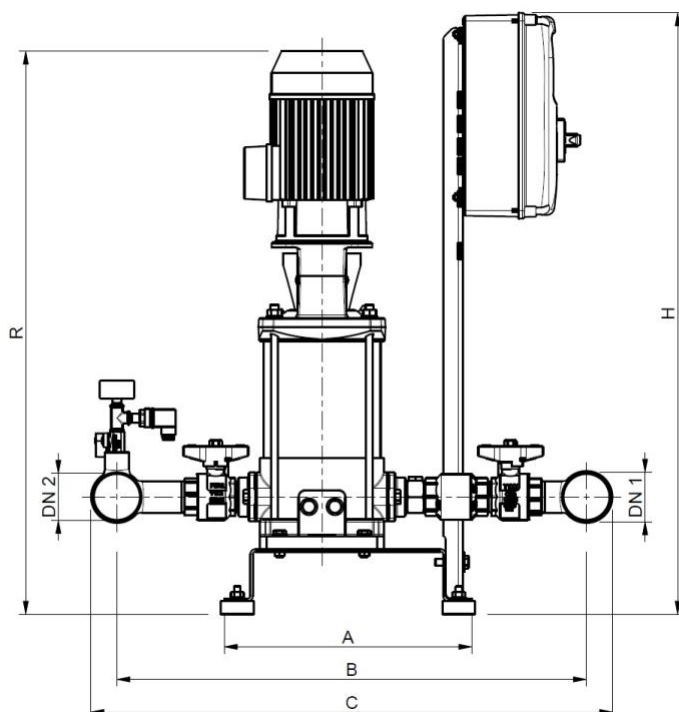
EXTERNAL VIEW 3GPE EVMS(.) 32-45 E-SPD+



N°	PART NAME	MATERIAL	Quantity
110	Principal pump	-	3
114	Electric motor	-	3
150	Frame	Galvanized steel	1
210	Suction manifold	Galvanized steel	1
211	Manifold bracket	Galvanized steel	2
212	Butterfly valve (Lug)	Cast iron EN GJL 250 (JL 1040)	3
220	Counterflange	Galvanized steel	1
221	Blind counterflange	Galvanized steel	1
310	Discharge manifold	Galvanized steel	1
311	Manifold bracket	Galvanized steel	2
312	Butterfly valve (Lug)	Cast iron EN GJL 250 (JL 1040)	3
313	Check valve (Clapet)	Cast iron EN 1561 EN-GJL-250	3
320	Counterflange	Galvanized steel	1
321	Blind counterflange	Galvanized steel	1
410	E-SPD+	-	3
410-22	E-SPD+ adaptor	-	3
420	Protection panel	-	1
460	Control panel frame	Galvanized steel	1
512	Ball valve	Brass / P.T.F.E.	2
513	Pressure gauge	Copper alloy / plastic	1
530	Pressure transmitter	-	3

OVERALL DIMENSIONS 2GP BOOSTER SET

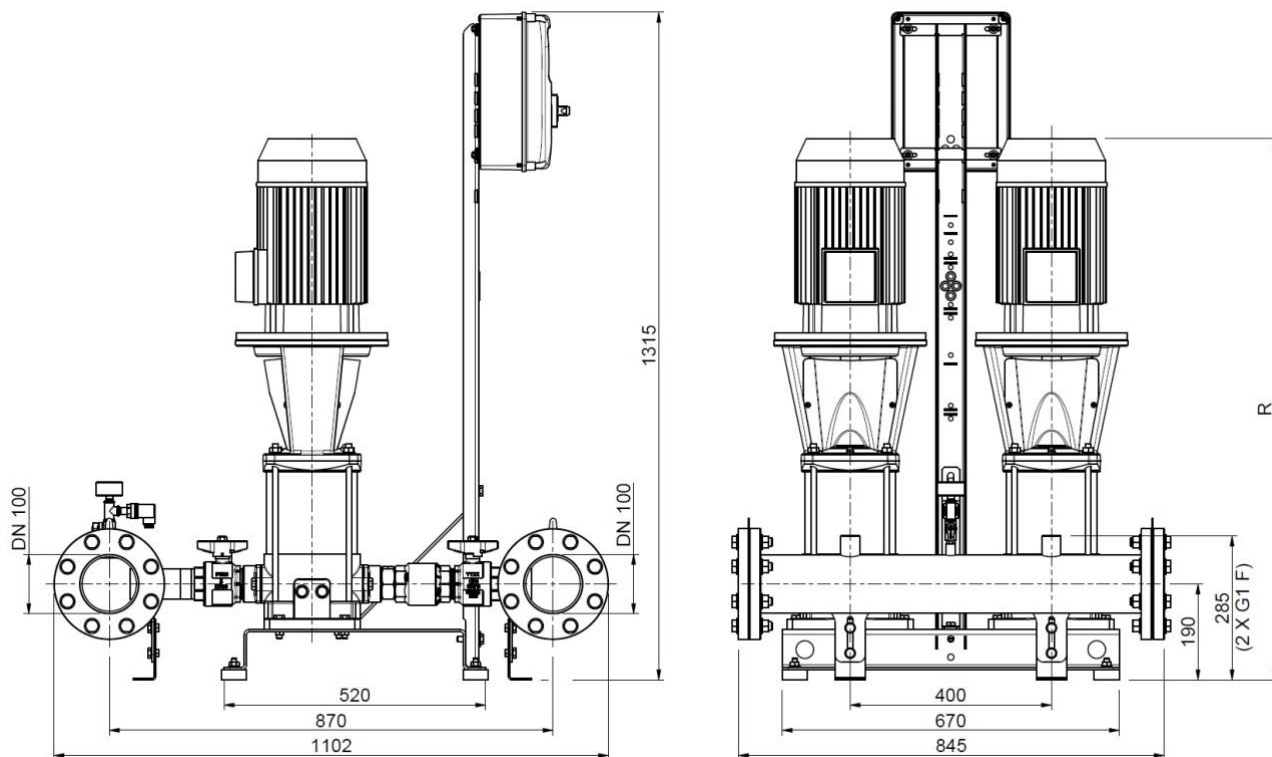
2GP EVMS(.) 3-5-10-15



Booster Type	Dimensions [mm]										Weight [kg]			
	DN1	DN2	A	B	C	H	M	N	Q	1~ R	3~ R	1~	3~	
2GP EVMSG 3 7N5/0,75 (M)	G1 ½	G1 ½	380	600	650	915	300	550	150	700	700	205	77	72
2GP EVMSG 3 8N5/0,75 (M)	G1 ½	G1 ½	380	600	650	915	300	550	150	720	720	205	78	73
2GP EVMSG 3 9N5/1,1 (M)	G1 ½	G1 ½	380	600	650	915	300	550	150	740	750	205	80	76
2GP EVMSG 3 12N5/1,1 (M)	G1 ½	G1 ½	380	600	650	915	300	550	150	800	800	205	83	79
2GP EVMSG 5 5N5/1,1 (M)	G 2	G 2	380	640	705	915	300	550	150	685	700	210	81	77
2GP EVMSG 5 7N5/1,5 (M)	G 2	G 2	380	640	705	915	300	550	150	790	815	210	94	86
2GP EVMSG 5 10N5/2,2 (M)	G 2	G 2	380	640	705	915	300	550	150	885	900	210	101	92
2GP EVMSG 10 6N5/2,2 (M)	G2 ½	G2 ½	380	720	800	915	300	550	180	840	865	250	119	110
2GP EVMSG 10 8N5/3	G2 ½	G2 ½	380	720	800	915	300	550	180	-	985	250	-	127
2GP EVMSG 10 9N5/4	G2 ½	G2 ½	380	720	800	915	300	550	180	-	1035	250	-	142
2GP EVMSG 15 4N5/4	G 3	G 3	520	845	940	1320	400	670	190	-	940	265	-	194
2GP EVMSG 15 6N5/5,5	G 3	G 3	520	845	940	1320	400	670	190	-	1155	265	-	237

Approximate dimensions ± 20mm.
The dimensions may change without notice.

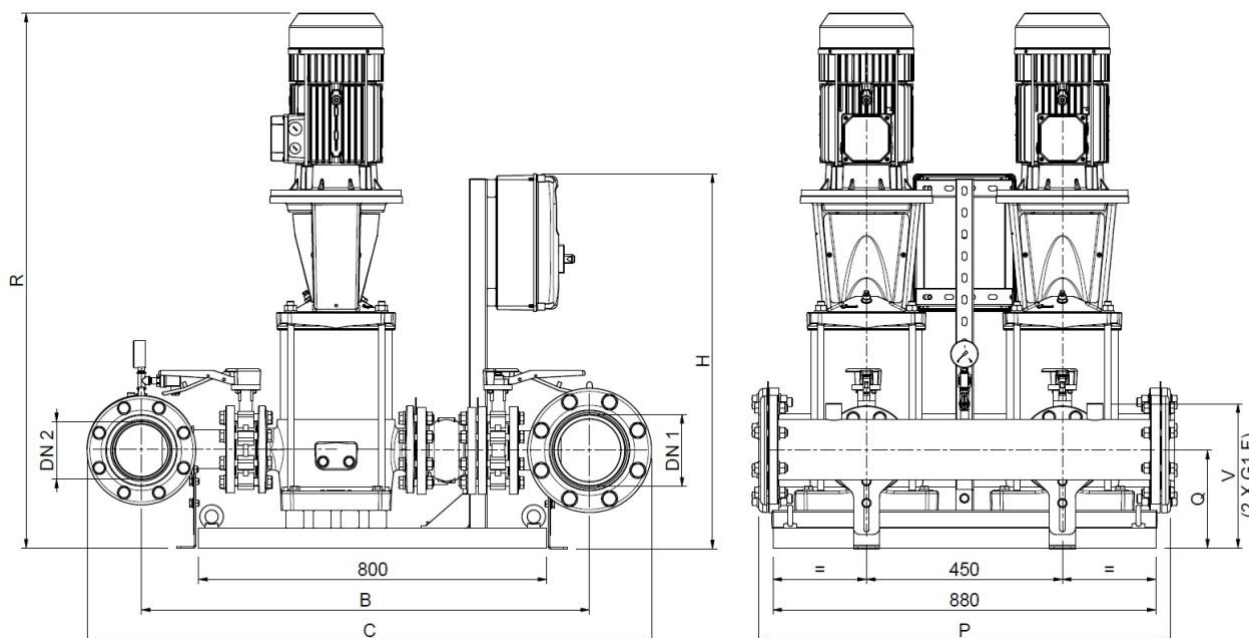
2GP EVMS(.) 20



Booster Type	Dimensions [mm]	Weight
	R	[kg]
2GP EVMSG 20 3N5/4,0	900	213
2GP EVMSG 20 4N5/5,5	1075	224
2GP EVMSG 20 6N5/7,5	1175	243

Approximate dimensions ± 20 mm.
The dimensions may change without notice.

2GP EVMS(.) 32-45

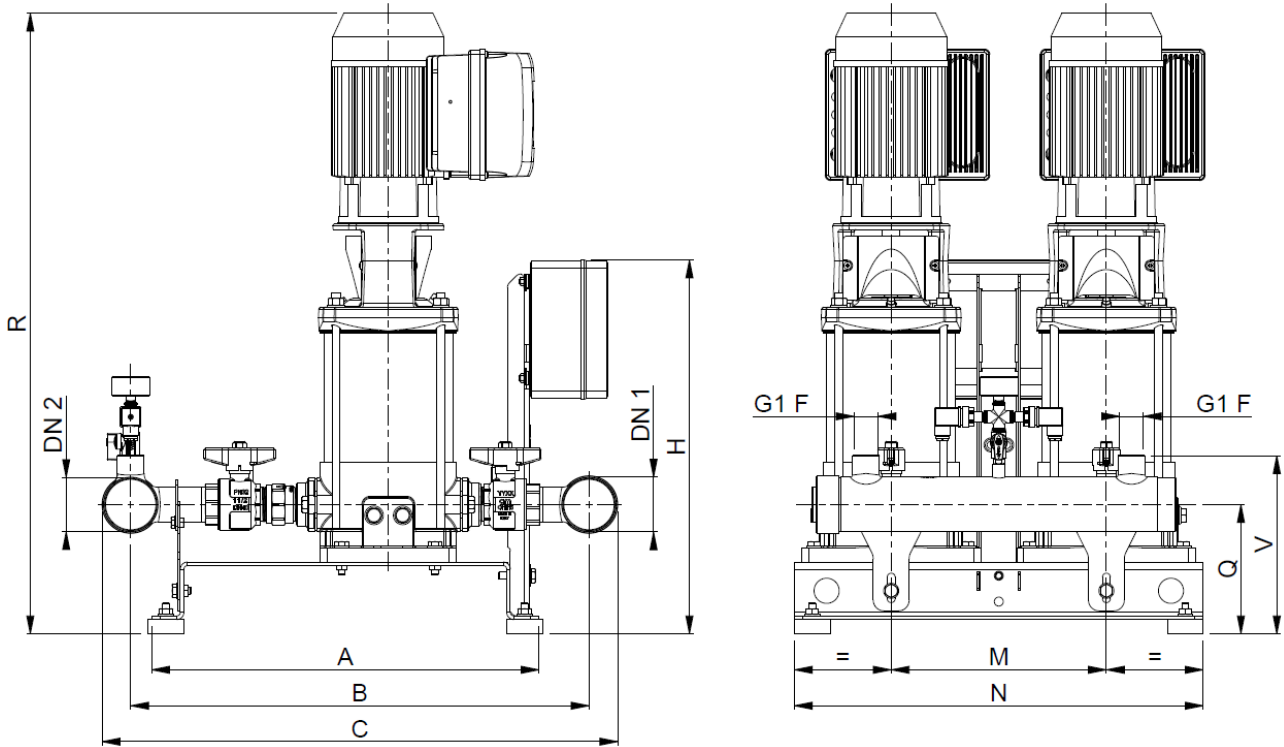


Booster Type	Dimensions [mm]									Weight [kg]
	DN1	DN2	B	C	H	P	Q	R	V	
2GP EVMSG32 3-0/5,5	125	100	895	1130	1050	1040	190	1190	280	349
2GP EVMSG32 4-0/7,5	125	100	895	1130	1050	1040	190	1280	280	369
2GP EVMSG45 2-0/7,5	150	125	1030	1295	855	945	225	1225	330	410

Approximate dimensions ± 20 mm.
The dimensions may change without notice.

OVERALL DIMENSIONS 2GPE BOOSTER SET

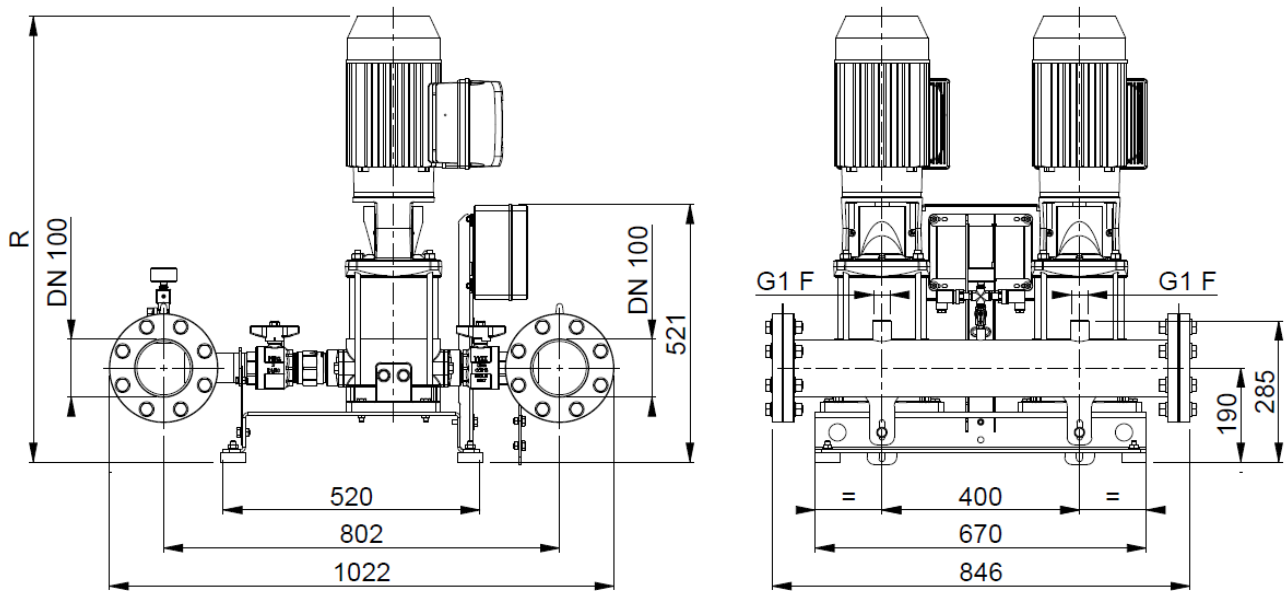
2GPE EVMS(.) 3-5-10-15 E-SPD+



Booster Type	Dimensions [mm]												Weight [kg]
	DN1	DN2	A	B	C	ESPM H	ESPT	M	N	Q	R	V	
2GPE EVMSG 3 8N5/0.75 ESPT(ESPM)	G 1 1/2	G 1 1/2	380	530	580	520	520	300	550	150	720	205	74
2GPE EVMSG 3 9N5/1.1 ESPM	G 1 1/2	G 1 1/2	380	530	580	520	-	300	550	150	750	205	78
2GPE EVMSG 3 10N5/1.1 ESPT(ESPM)	G 1 1/2	G 1 1/2	380	530	580	520	520	300	550	150	770	205	79
2GPE EVMSG 3 12N5/1.1 ESPT(ESPM)	G 1 1/2	G 1 1/2	380	530	580	520	520	300	550	150	815	205	80
2GPE EVMSG 5 5N5/1.1 ESPT(ESPM)	G 2	G 2	380	565	625	520	520	300	550	150	700	210	76
2GPE EVMSG 5 7N5/1.5 ESPT(ESPM)	G 2	G 2	380	565	625	520	520	300	550	150	815	210	87
2GPE EVMSG 5 8N5/2.2 ESPT	G 2	G 2	380	565	625	-	520	300	550	150	845	210	91
2GPE EVMSG 5 9N5/2.2 ESPT	G 2	G 2	380	565	625	-	520	300	550	150	870	210	92
2GPE EVMSG 5 10N5/2.2 ESPT(ESPM)	G 2	G 2	380	565	625	520	520	300	550	150	900	210	93
2GPE EVMSG 10 6N5/2.2 ESPT(ESPM)	G 2 1/2	G 2 1/2	540	640	720	520	520	300	570	180	865	250	117
2GPE EVMSG 10 7N5/3 ESPT	G 2 1/2	G 2 1/2	540	640	720	-	520	300	570	180	955	250	133
2GPE EVMSG 10 8N5/3 ESPT	G 2 1/2	G 2 1/2	540	640	720	-	520	300	570	180	985	250	135
2GPE EVMSG 10 9N5/4 ESPT	G 2 1/2	G 2 1/2	540	640	720	-	520	300	570	180	1035	250	149
2GPE EVMSG 15 4N5/4 ESPT	G 3	G 3	520	760	855	-	520	400	670	190	940	265	154
2GPE EVMSG 15 6N5/5.5 ESPT	G 3	G 3	520	760	855	-	520	400	670	190	1115	265	199

Approximate dimensions ± 20mm.
The dimensions may change without notice.

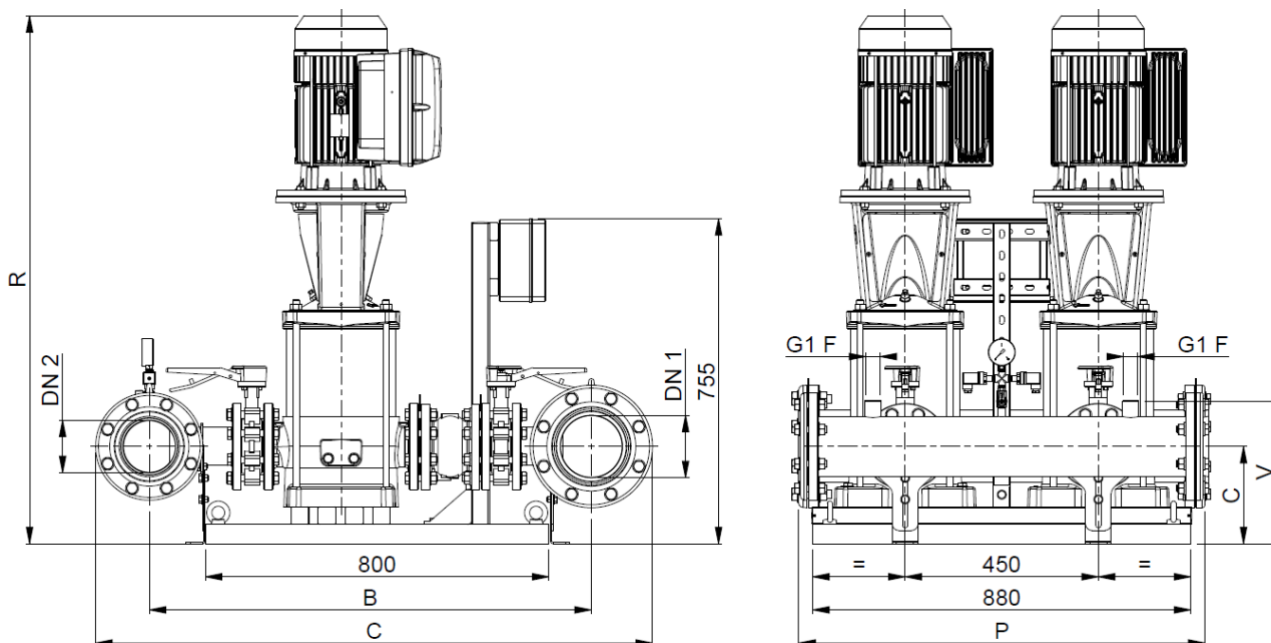
2GPE EVMS(.)20 E-SPD+



Booster Type	Dimensions [mm]		Weight [kg]
	R		
2GPE EVMSG 20 3N5/4,0 ESPT	900		218
2GPE EVMSG 20 4N5/5,5 ESPT	1075		229
2GPE EVMSG 20 6N5/7,5 ESPT	1175		248

Approximate dimensions ± 20 mm.
The dimensions may change without notice.

2GPE EVMS(.).32-45 E-SPD+

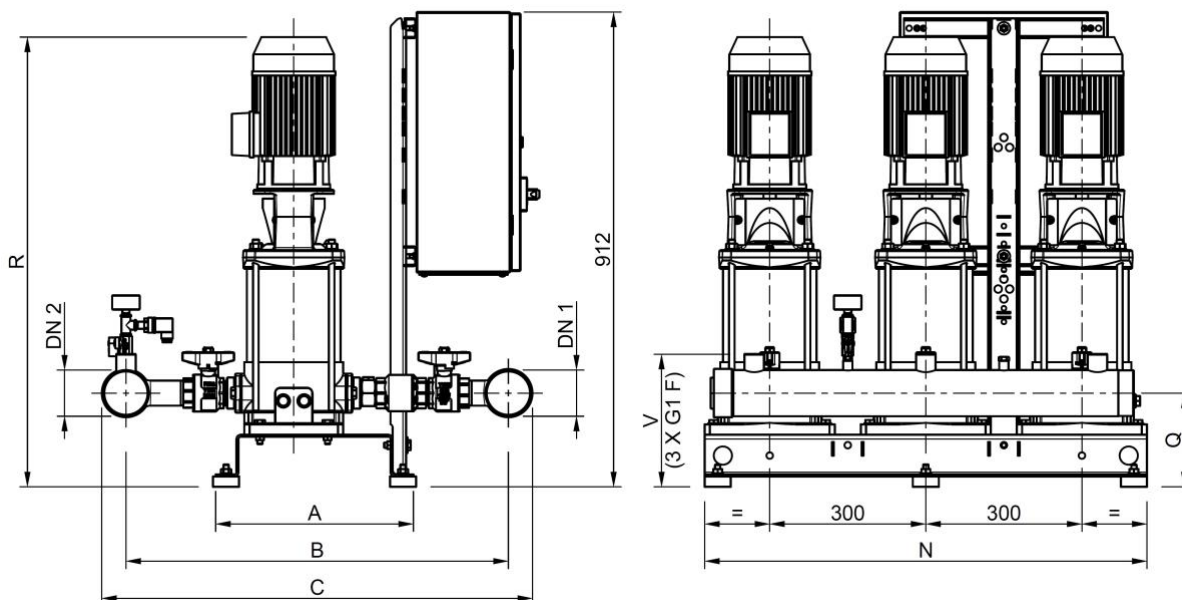


Booster Type	Dimensions [mm]								Weight [kg]
	DN1	DN2	B	C	P	Q	R	V	
2GPE EVMSG32 3-0/5,5 ESPT	125	100	895	1130	1040	190	1190	280	355
2GPE EVMSG32 4-0/7,5 ESPT	125	100	895	1130	1040	190	1280	280	376
2GPE EVMSG45 2-0/7,5 ESPT	150	125	1030	1295	945	225	1225	330	417

Approximate dimensions ± 20 mm.
The dimensions may change without notice.

OVERALL DIMENSIONS 3GP BOOSTER SET

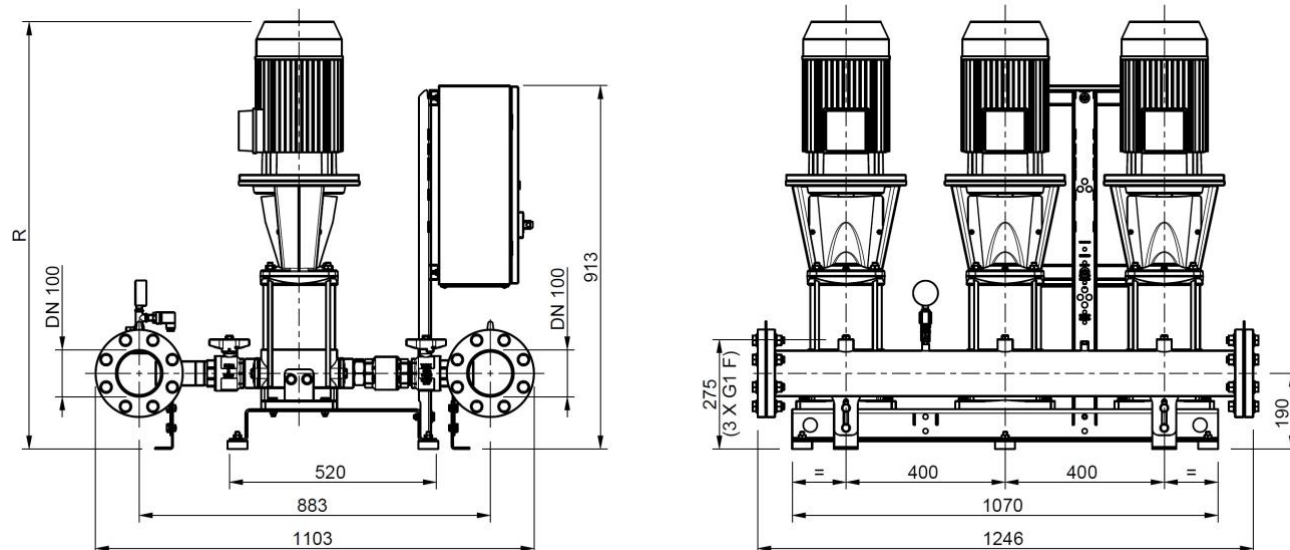
3GP EVMS(.) 3-5-10



Booster Type	Dimensions [mm]									Weight [kg]
	DN1	DN2	A	B	C	N	Q	R	V	
3GP EVMSG 3 8N5/0,75	G 2	G 2	380	610	675	850	150	720	210	115
3GP EVMSG 3 12N5/1,1	G 2	G 2	380	610	675	850	150	815	210	123
3GP EVMSG 5 5N5/1,1	G 2 ½	G 2 ½	380	655	735	850	150	700	220	121
3GP EVMSG 5 7N5/1,5	G 2 ½	G 2 ½	380	655	735	850	150	815	220	135
3GP EVMSG 5 8N5/2,2	G 2 ½	G 2 ½	380	655	735	850	150	845	220	141
3GP EVMSG 5 10N5/2,2	G 2 ½	G 2 ½	380	655	735	850	150	900	220	144
3GP EVMSG 10 6N5/2,2	G 3	G 3	380	735	830	850	180	865	255	171
3GP EVMSG 10 7N5/3,0	G 3	G 3	380	735	830	850	180	955	255	196
3GP EVMSG 10 8N5/3,0	G 3	G 3	380	735	830	850	180	985	255	198
3GP EVMSG 10 9N5/4,0	G 3	G 3	380	735	830	850	180	1035	255	220

Approximate dimensions ± 20mm.
The dimensions may change without notice.

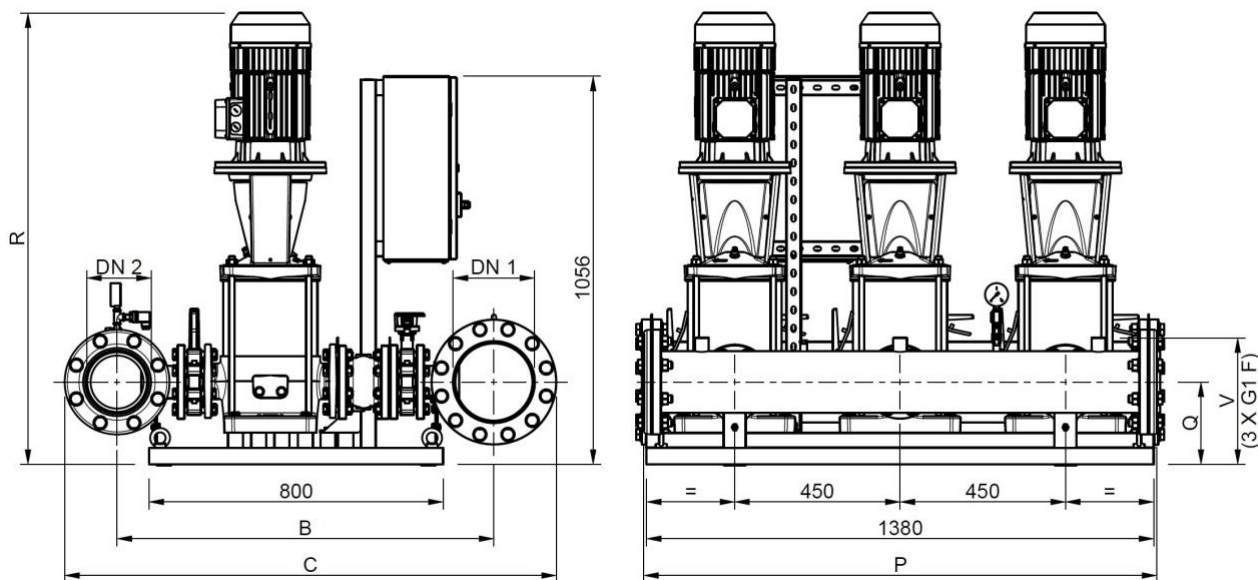
3GP EVMS(.) 15-20



Booster Type	Dimensions [mm]	
	R	Weight [kg]
3GP EVMSG 15 4N5/4,0	960	280
3GP EVMSG 15 5N5/5,5	1115	341
3GP EVMSG 15 6N5/5,5	1155	344
3GP EVMSG 20 3N5/4,0	900	278
3GP EVMSG 20 4N5/5,5	1075	326
3GP EVMSG 20 6N5/7,5	1175	355

Approximate dimensions ± 20 mm.
The dimensions may change without notice.

3GP EVMS(.) 32-45

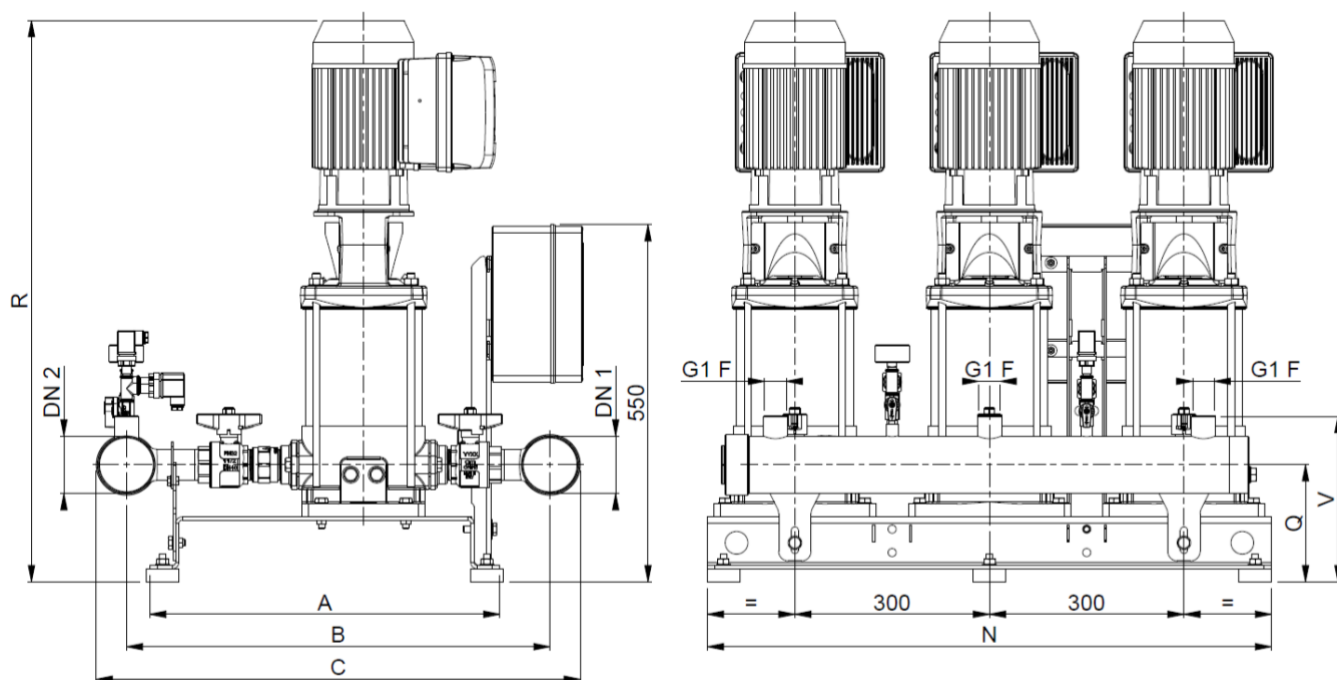


Booster Type	Dimensions [mm]								Weight [kg]
	DN1	DN2	B	C	P	Q	R	V	
3GP EVMSG32 3-0/5,5	150	125	965	1230	1390	190	1190	190	517
3GP EVMSG32 4-0/7,5	150	125	965	1230	1390	190	1280	190	547
3GP EVMSG45 2-0/7,5	200	150	1025	1340	1405	225	1225	345	647

Approximate dimensions ± 20 mm.
The dimensions may change without notice.

OVERALL DIMENSIONS 3GP BOOSTER SET

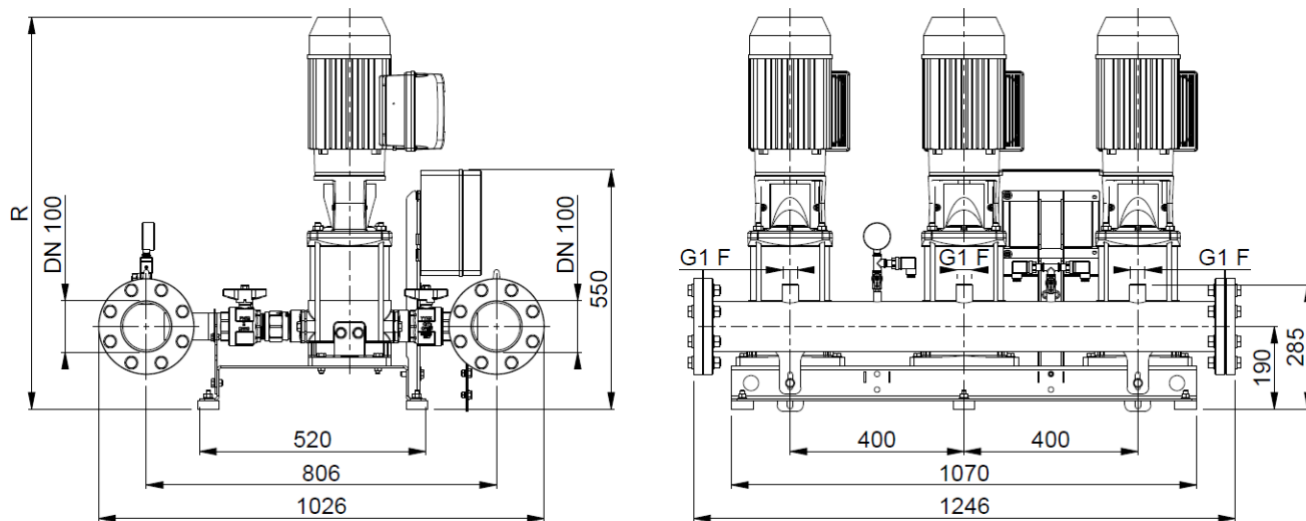
3GPE EVMS(.) 3-5-10 E-SPD+



Booster Type	Dimensions [mm]									Weight [kg]
	DN1	DN2	A	B	C	N	Q	R	V	
3GPE EVMSG 3 8N5/0,75 ESPT	G 2	G 2	380	540	605	850	150	720	210	111
3GPE EVMSG 3 12N5/1,1 ESPT	G 2	G 2	380	540	605	850	150	815	210	120
3GPE EVMSG5 5N5/1.1 ESPT	G 2 ½	G 2 ½	380	580	630	850	150	700	220	118
3GPE EVMSG5 7N5/1.5 ESPT	G 2 ½	G 2 ½	380	580	630	850	150	815	220	131
3GPE EVMSG5 8N5/2.2 ESPT	G 2 ½	G 2 ½	380	580	630	850	150	845	220	137
3GPE EVMSG5 10N5/2.2 ESPT	G 2 ½	G 2 ½	380	580	630	850	150	900	220	140
3GPE EVMSG10 6N5/2,2 ESPT	G 3	G 3	540	655	745	870	180	865	255	177
3GPE EVMSG10 7N5/3,0 ESPT	G 3	G 3	540	655	745	870	180	955	255	201
3GPE EVMSG10 8N5/3,0 ESPT	G 3	G 3	540	655	745	870	180	985	255	204
3GPE EVMSG10 9N5/4,0 ESPT	G 3	G 3	540	655	745	870	180	1035	255	225

Approximate dimensions ± 20mm.
The dimensions may change without notice.

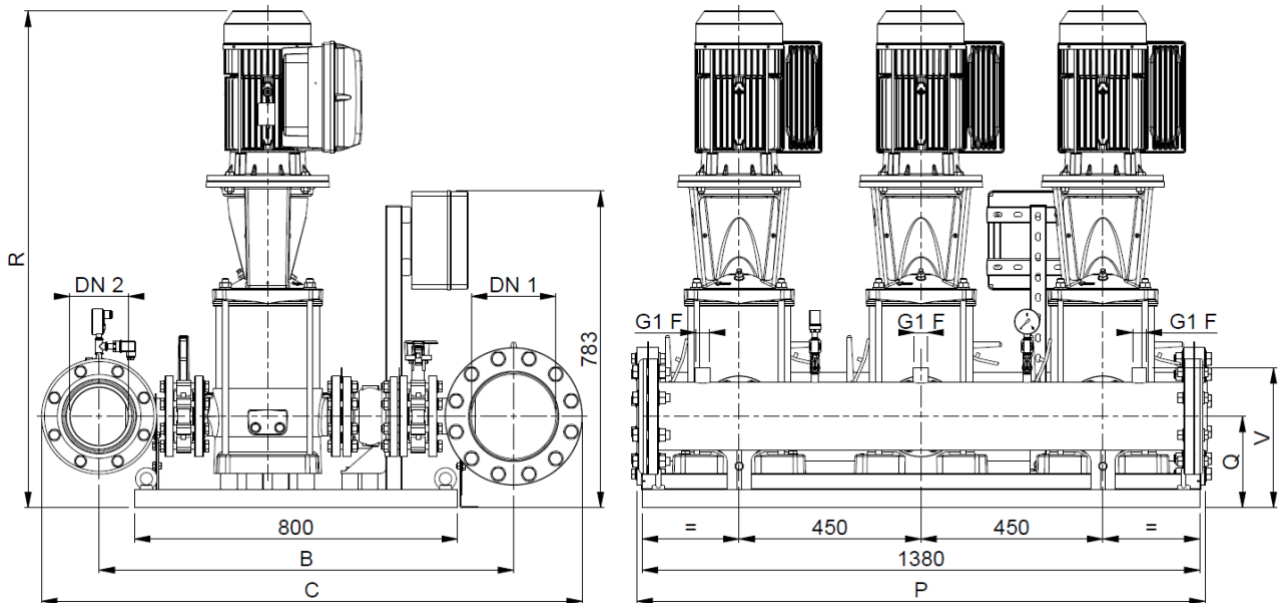
3GPE EVMS(.) 15-20 E-SPD+



Booster Type	Dimensions [mm]		Weight [kg]
	R		
3GPE EVMSG 15 4N5/4,0 ESPT	960		278
3GPE EVMSG 15 6N5/5,5 ESPT	1155		342
3GPE EVMSG 20 3N5/4,0 ESPT	900		276
3GPE EVMSG 20 4N5/5,5 ESPT	1075		324
3GPE EVMSG 20 6N5/7,5 ESPT	1175		353

Approximate dimensions ± 20 mm.
The dimensions may change without notice.

3GPE EVMS(.) 32-45 E-SPD+



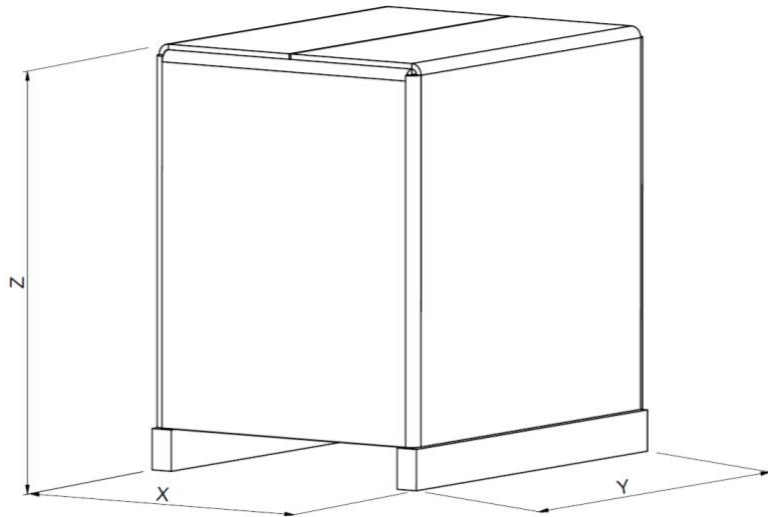
Booster Type	Dimensions [mm]								Weight [kg]
	DN1	DN2	B	C	P	Q	R	V	
3GPE EVMSG32 3-0/5,5 ESPT	150	125	965	1230	1390	190	1190	190	523
3GPE EVMSG32 4-0/7,5 ESPT	150	125	965	1230	1390	190	1280	190	554
3GPE EVMSG45 2-0/7,5 ESPT	200	150	1025	1340	1405	225	1225	345	646

Approximate dimensions ± 20 mm.
The dimensions may change without notice.

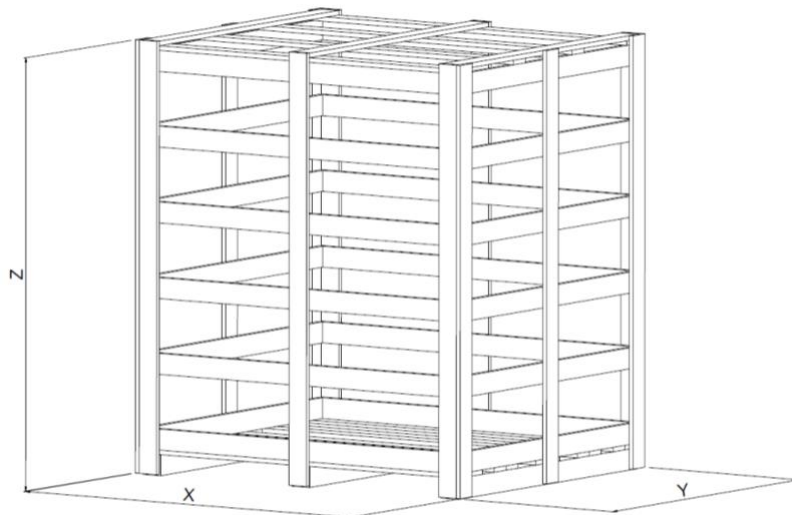
DIMENSIONS AND WEIGHT

PACKING

TYPE "1"



TYPE "2"



2GP(.) EVMS(.)

	Booster type	Overall dimensions packing			Booster+packing Weight [kg]	Packing type			
		X	Y	Z					
2GP	2GP EVMSG3 7N5/0,75 (M)	1230	830	1365	100	1			
	2GP EVMSG3 8N5/0,75 (M)				101				
	2GP EVMSG3 9N5/1,1 (M)				103				
	2GP EVMSG3 12N5/1,1 (M)				106				
	2GP EVMSG5 5N5/1,1 (M)				100				
	2GP EVMSG5 7N5/1,5 (M)				117				
	2GP EVMSG5 10N5/2,2 (M)				124				
	2GP EVMSG10 6N5/2,2 (M)				142				
	2GP EVMSG10 8N5/3				150				
	2GP EVMSG10 9N5/4				165				
	2GP EVMSG15 4N5/4				217				
	2GP EVMSG15 6N5/5,5				260				
	2GP EVMSG20 3N5/4				236				
	2GP EVMSG20 4N5/5,5				247				
	2GP EVMSG20 6N5/7,5				266				
	2GP EVMSG32 3-0/5,5				1235		1135	1790	385
	2GP EVMSG32 4-0/7,5				406				
	2GP EVMSG45 2-0/7,5				1585		1350	1790	462
2GPE E-SPD+	2GPE EVMSG3 8N5/0.75 ESPT(ESPM)	1230	830	1365	97	1			
	2GPE EVMSG3 9N5/1.1 ESPM				101				
	2GPE EVMSG3 10N5/1.1 ESPT(ESPM)				102				
	2GPE EVMSG3 12N5/1.1 ESPT(ESPM)				103				
	2GPE EVMSG5 5N5/1.1 ESPT(ESPM)				99				
	2GPE EVMSG5 7N5/1.5 ESPT(ESPM)				110				
	2GPE EVMSG5 8N5/2.2 ESPT				114				
	2GPE EVMSG5 9N5/2.2 ESPT				115				
	2GPE EVMSG5 10N5/2.2 ESPT(ESPM)				116				
	2GPE EVMSG10 6N5/2.2 ESPT(ESPM)				140				
	2GPE EVMSG10 7N5/3 ESPT				156				
	2GPE EVMSG10 8N5/3 ESPT				158				
	2GPE EVMSG10 9N5/4 ESPT				172				
	2GPE EVMSG15 4N5/4 ESPT				191				
	2GPE EVMSG15 6N5/5.5 ESPT				236				
	2GPE EVMSG20 3N5/4 ESPT				255				
	2GPE EVMSG20 4N5/5,5 ESPT				266				
	2GPE EVMSG20 6N5/7,5 ESPT				285				
	2GPE EVMSG32 3-0/5,5 ESPT				1235		1135	1790	392
	2GPE EVMSG32 4-0/7,5 ESPT				412				
2GPE EVMSG45 2-0/7,5 ESPT	1585	1350	1790	469					

The dimensions may change without notice.

3GP(.) EVMS(.)

	Booster	Overall dimensions packing			Booster+packing Weight [kg]	Packing type			
		X	Y	Z					
3GP	3GP EVMSG3 8N5/0,75	1230	830	1365	138	1			
	3GP EVMSG3 12N5/1,1				146				
	3GP EVMSG5 5N5/1,1				144				
	3GP EVMSG5 7N5/1,5				158				
	3GP EVMSG5 8N5/2,2				164				
	3GP EVMSG5 10N5/2,2				167				
	3GP EVMSG10 6N5/2,2	1230	830	1365	194				
	3GP EVMSG10 7N5/3,0				219				
	3GP EVMSG10 8N5/3,0				221				
	3GP EVMSG10 9N5/4,0				243				
	3GP EVMSG15 4N5/4,0				1585		1350	1790	332
	3GP EVMSG15 5N5/5,5								393
	3GP EVMSG15 6N5/5,5	396							
	3GP EVMSG20 3N5/4,0	330							
	3GP EVMSG20 4N5/5,5	378							
	3GP EVMSG20 6N5/7,5	407							
	3GP EVMSG32 3-0/5,5	1800	1500	1900	642		2		
	3GP EVMSG32 4-0/7,5				673				
3GP EVMSG45 2-0/7,5	773								
3GPE ESPD+	3GPE EVMSG3 8N5/0,75 ESPT	1230	830	1365	134	1			
	3GPE EVMSG3 12N5/1,1 ESPT				143				
	3GPE EVMSG5 5N5/1.1 ESPT				141				
	3GPE EVMSG5 7N5/1.5 ESPT				154				
	3GPE EVMSG5 8N5/2.2 ESPT				160				
	3GPE EVMSG5 10N5/2.2 ESPT				163				
	3GPE EVMSG10 6N5/2.2 ESPT	1585	1350	1790	200				
	3GPE EVMSG10 7N5/3 ESPT				224				
	3GPE EVMSG10 8N5/3 ESPT				227				
	3GPE EVMSG10 9N5/4 ESPT				248				
	3GPE EVMSG15 4N5/4 ESPT				330				
	3GPE EVMSG15 6N5/5.5 ESPT				394				
	3GPE EVMSG20 3N5/4 ESPT	1800	1500	1900	328		2		
	3GPE EVMSG20 4N5/5,5 ESPT				376				
	3GPE EVMSG20 6N5/7,5 ESPT				405				
	3GPE EVMSG32 3-0/5,5 ESPT				649				
	3GPE EVMSG32 4-0/7,5 ESPT				679				
	3GPE EVMSG45 2-0/7,5 ESPT				772				

The dimensions may change without notice.

CONTROL PANEL FIXED SPEED

EP-PRO SPECIFICATION

- **SERIES EP-PRO M (single-phase power output)**
- **SERIES EP-PRO T (three-phase power output)**

Electrical panel (protection and control) for two or three electropumps. Manual or automatic operation through pressure transmitter. The panel is configured to start the two pumps alternately in stand-by to pressure transmitter. The electrical panel protects the motors against overload and phase failure. Any protection devices that intervene are signaled on the panel itself and remotely through free voltage contacts.

TECHNICAL FEATURES

- MIN. CURRENT= Operation against dry running by minimum current consumption. Up to 4 auto resets, time and cycles are settable;
- MIN. COSPHI= Operation against dry running by power factor detection. Up to 4 auto resets, time and cycles are settable (*The min. cosphi protection delay and change the min current protection and opposite*);
- 4-20mA= control by pressure transmitter;
- T1= Pump 1 Klixon or thermal protection;
- T2= Pump 2 Klixon or thermal protection;
- T3= Pump 3 Klixon or thermal protection;
- Automatic start sequence alternation;
- Motor protection against overload or missing phases;
- Motor line protection against short-circuits;
- Overvoltage protection;
- Low voltage protection;
- Remote signalling, through NC-NO free voltage contact.

Version		EP-PRO M	EP-PRO T
Power source	Frequency	50/60 Hz	
	Phase	1 ~	3 ~
	Voltage	100 - 240 Vac	310 - 450 Vac
	Power	0,25 ÷ 2.2 kW	0,25 ÷ 15 kW
Others	Protection degree	IP 55	
	Ambient Temperature	-5°C + 50°C	
	Pressurisation units	2-3 pumps	
	Relative humidity	50% a 40°C (condensate free)	
	Max altitude	2000 m (a.s.l.)	
Directives	2014/35/EU (LVD), 2014/30/EU (EMC), 2011/65/EU (RoHS II)		

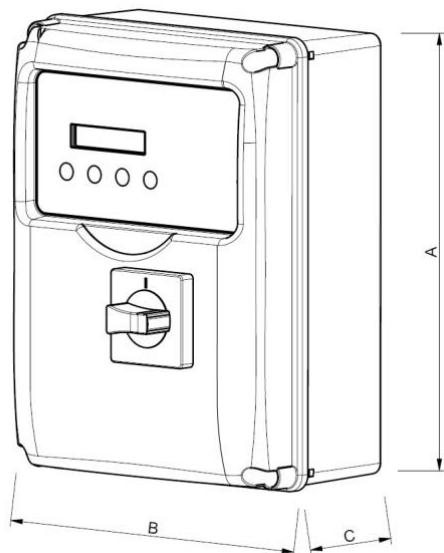


Figure 1 Plastic box (type 1)

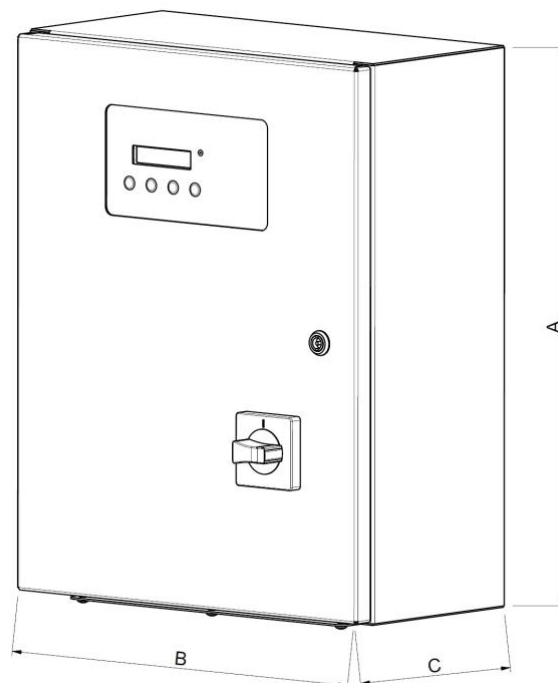


Figure 2 Metallic box (type 2)

EP-PRO M MODELS TABLE

Model	Single pump power [kW]	In range [A]	Dimensions AxBxC [mm]	Weight [kg]	Type
EP-PRO 2 M (0-18A)	0,25 - 2,2	0 - 18	320x240x185	1,5	1
EP-PRO 3 M (0-18A)	0,25 - 2,2	0 - 18	385x305x185	5	1

The dimensions may change without notice.

EP-PRO T MODELS TABLE

Model	Single pump power [kW]	In range [A]	Dimensions AxBxC [mm]	Weight [kg]	Type
EP-PRO 2 T/7,5 (0-18A)	0,25 - 7,5	0 - 18	310x230x185	2,5	1
EP-PRO 3 T/7,5 (0-18A)	0,25 - 7,5	0 - 18	500x400x200	7	2

The dimensions may change without notice.

Notes: Standard Control panels EP-PRO are available for 1, 2, 3 pumps; 4 pumps version are available on request;

EP-PRO T SD SPECIFICATION

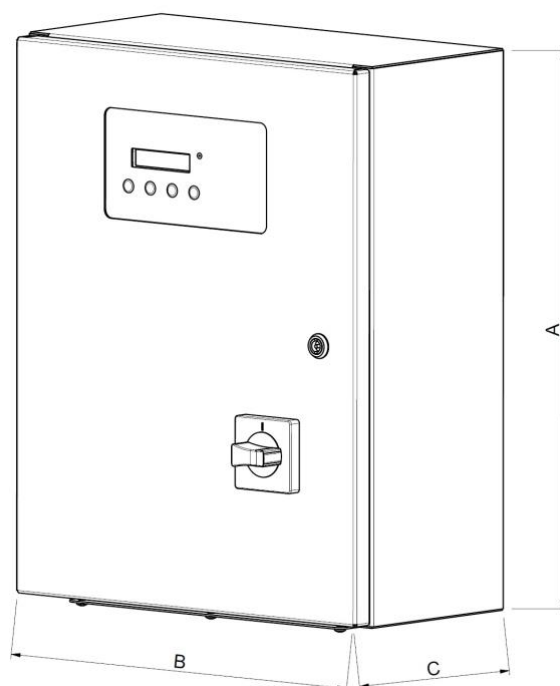
- **SERIES EP-PRO T SD (star/delta starting)**

Electrical panel (protection and control) for two or three electropumps. Manual or automatic operation through pressure transmitter. The panel is configured to start the two pumps alternately in stand-by to pressure transmitter. The electrical panel protects the motors against overload and phase failure. Any protection devices that intervene are signaled on the panel itself and remotely through free voltage contacts.

TECHNICAL FEATURES

- MIN. CURRENT= Operation against dry running by minimum current consumption. Up to 4 auto resets, time and cycles are settable;
- MIN. COSPHI= Operation against dry running by power factor detection. Up to 4 auto resets, time and cycles are settable (The min. cosphi protection delate and change the min current protection and opposite);
- 4-20mA= control by pressure transmitter;
- T1= Pump 1 Klixon or thermal protection;
- T2= Pump 2 Klixon or thermal protection;
- T3= Pump 3 Klixon or thermal protection;
- Automatic start sequence alternation;
- Motor protection against overload or missing phases;
- Motor line protection against short-circuits;
- Overvoltage protection;
- Low voltage protection;
- Remote signalling, through NC-NO free voltage contact.

	Version	EP PRO T SD
Power source	Frequency	50/60 Hz
	Phase	3 ~
	Voltage	310 - 450 Vac
	Power	11 ÷ 22 kW
Others	Protection degree	IP 55
	Ambient Temperature	-5°C + 40°C
	Pressurisation units	2-3 pumps
	Relative humidity	50% a 40°C (condensate free)
	Max altitude	2000 m (a.s.l.)
Directives	2014/35/EU (LVD), 2014/30/EU (EMC), 2011/65/EU (RoHS II)	



EP-PRO T SD MODELS TABLE

Model	Single pump Power [kW]	In range [A]	Dimensions AxBxC [mm]	Weight [kg]
EP-PRO 2 T SD/11 (16-25A)	11	16-25	600x235x400	20
EP-PRO 2 T SD/15 (16-32A)	15	16-32	600x235x400	20
EP-PRO 2 T SD/18,5 (30-38A)	18,5	30-38	700x500x400	25
EP-PRO 2 T SD/22 (30-35A)	22	30-35	700x500x400	25
EP-PRO 3 T SD/11 (16-25A)	11	16-25	800x600x300	30
EP-PRO 3 T SD/15 (16-32A)	15	16-32	800x600x300	30
EP-PRO 3 T SD/18,5 (30-38A)	18,5	30-38	800x600x300	30
EP-PRO 3 T SD/22 (30-35A)	22	30-35	800x600x300	30

The dimensions may change without notice.

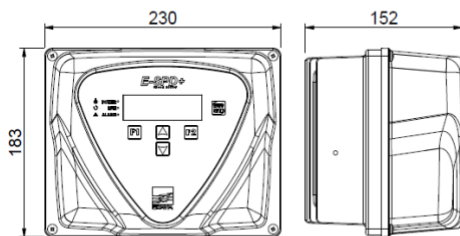
Notes: Standard Control panels EP-PRO 2 T SD three-phase are available for 1, 2, 3 pumps from 11kW up to 22kW power; 4 pumps version or power from 30kW and above are available on request.

CONTROL PANEL VARIABLE SPEED E-SPD+ SPECIFICATION

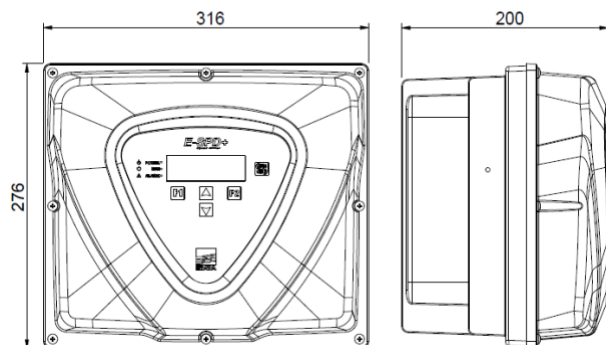
On board electronic device for controlling electropumps, employing inverter technology. Starts and stops the pump and modulates the speed of the motor in relation to the water demand on the system, to maintain the operating pressure setting. Provides excellent comfort for the end user, significant energy savings and increased service life, the typical advantages of inverter controlled autoclave systems. E-SPD+ is an inverter that could be installed on the terminal box. It can be adapted on horizontal and vertical pumps. E-SPD+ can protect the system against overpressure, overcurrent, voltage fluctuation, dry run and water leak. The connection for this mode is made by communication line ON/OFF.

		E-SPD+			
Power	Version	MT 2200	TT 4000	TT 11000	
	Power Voltage	Single-phase 230 V	Three-phase 400 V		
	Output Voltage (pump)	Three-phase 230 V	Three-phase 400 V		
	Output frequency	50 ÷ 60Hz			
	Maximum pump power	2.2 kW	4 kW	11 Kw	
	Max I in	20 A	12 A	31 A	
	Max I out	11 A	11 A	30 A	
Others	Pressure setpoint	0.5 ÷ 40 bar			
	Protection degree	IP 55			
	Ambient Temperature	-10 ÷ 40°C			
	Pressurisation units	2-3 pumps			
	Weight	2,7 Kg	5		
	Protection	Dry-running			
		Over/under voltage			
Short-circuit					
Overload					
Overtemperature					
Pressure sensor fault					
Directives	2014/35/EU (LVD), 2014/30/EU (EMC), 2011/65/EU (RoHS II)				

MT 2200 / TT 4000



TT 11000



The dimensions may change without notice.

805

SP (EFC and MFC) SPECIFICATION

The control panels SP EFC/MFC series inverters modulate the operation of electropumps in response to control by the pressure transmitter (transducer measuring flow or other external signal 4-20 mA), regulating the speed of the electropumps to keep system demand constant. If the electronic controller or pressure transmitter fails, a system of pressure switches controls the pumps directly (if present).

VERSION

- “EFC”: Control panel for two or more electric pumps, with a single inverter with pump exchange
- “MFC”: Control panel for two or more electric pumps, with an inverter for each individual electropump

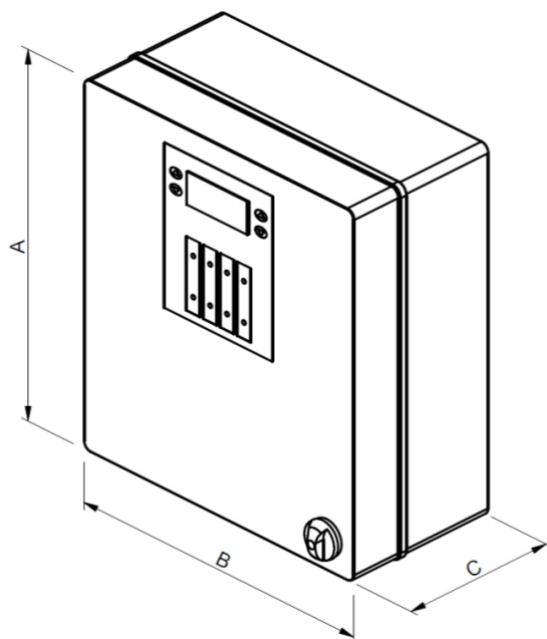
EFC / MFC		
Power	Power Voltage	Three-phase 400 V
	N° phases	Three phase without the use of neutral
	Frequence	50/60Hz
	Pump power	From 1.5kW up to 45kW
	Protection degree	IP54
	Ambient Temperature	-10°C + 40°C
	Pressurisation units	2,3,4 pumps
Directives	2014/35/EU (LVD), 2014/30/EU (EMC), 2011/65/EU (RoHS)	

Single inverter with exchange pump (SP EFC)

Panel type	Pump motor power (Three-phase)	Starting (Emergency / fixed speed pumps)	Option
2/3/4 pumps	1.5÷7.5 kW	Direct	Inverter pump Exchange
	11÷45kW	Star-Delta	

Multi-inverter: one inverter for each pump (SP MFC)

Panel type	Pump motor power (Three-phase)	Starting (Emergency / fixed speed pumps)
2/3/4 pumps	1.5 - 7,5 kW	Inverter ramp
	11 - 45 KW	Inverter ramp



2SP EFC MODELS TABLE

Model	Motor power [kW]	Current [A]	Dimensions A-B-C [mm]	Weight [Kg]
2SP EFC 1,5T-3	2x1.5	2x3,7	500x500x250	29
2SP EFC 2,2T-3	2x2.2	2x5,3	500x500x250	29
2SP EFC 3T-3	2x3	2x7,2	500x500x250	30
2SP EFC 4T-3	2x4	2x9	500x500x250	30
2SP EFC 5,5T-3	2x5.5	2x12	500x500x250	31
2SP EFC 7,5T-3	2x7.5	2x15,5	500x500x250	31
2SP EFC 11 T SD-3	2x11	2x23	800x800x300	62
2SP EFC 15 T SD-3	2x15	2x31	800x800x300	62
2SP EFC 18,5 T SD-3	2x18.5	2x37	1000x800x300	62
2SP EFC 22 T SD -3	2x22	2x43	1000x800x300	62
2SP EFC 30 T SD-3	2x30	2x61	1600*x1000x400	125
2SP EFC 37 T SD-3	2x37	2x70	1600*x1000x400	125
2SP EFC 45 T SD-3	2x45	2x85	1600*x1000x400	135

* Cabinet type control panel (Total height increase of 100 mm for base thickness).
The dimensions may change without notice.

3SP EFC MODELS TABLE

Model	Motor power [kW]	Current [A]	Dimensions A-B-C [mm]	Weight [Kg]
3SP EFC 1,5T-3	3x1.5	3x3,7	500x500x250	30
3SP EFC 2,2T-3	3x2.2	3x5,3	500x500x250	30
3SP EFC 3T-3	3x3	3x7,2	500x500x250	32
3SP EFC 4T-3	3x4	3x9	500x500x250	32
3SP EFC 5,5T-3	3x5.5	3x12	500x500x250	34
3SP EFC 7,5T-3	3x7.5	3x15,5	500x500x250	34
3SP EFC 11SD-3	3x11	3x23	800x800x300	71
3SP EFC 15SD-3	3x15	3x31	800x800x300	71
3SP EFC 18,5SD-3	3x18.5	3x37	1000x800x300	90
3SP EFC 22SD-3	3x22	3x43	1000x800x300	90
3SP EFC 30SD-3	3x30	3x61	1600*x1000x400	135
3SP EFC 37SD-3	3x37	3x70	1600*x1000x400	135
3SP EFC 45SD-3	3x45	3x85	1600*x1000x400	170

* Cabinet type control panel (Total height increase of 100 mm for base thickness).
The dimensions may change without notice.

4SP EFC MODELS TABLE

Model	Motor power [kW]	Current [A]	Dimensions A-B-C [mm]	Weight [Kg]
4SP EFC 1,5T-3	4x1.5	4x3,7	800x600x250	49
4SP EFC 2,2T-3	4x2.2	4x5,3	800x600x250	49
4SP EFC 3T-3	4x3	4x7,2	800x600x250	50
4SP EFC 4T-3	4x4	4x9	800x600x250	50
4SP EFC 5,5T-3	4x5.5	4x12	800x600x250	51
4SP EFC 7,5T-3	4x7.5	4x15,5	800x600x250	51
4SP EFC 11SD-3	4x11	4x23	1200x800x300	73
4SP EFC 15SD-3	4x15	4x31	1200x800x300	73
4SP EFC 18,5SD-3	4x18.5	4x37	1400*x1000x400	82
4SP EFC 22SD-3	4x22	4x43	1400*x1000x400	86

Model	Motor power [kW]	Current [A]	Dimensions A-B-C [mm]	Weight [Kg]
4SP EFC 30SD-3	4x30	4x61	1800*x1200x400	170
4SP EFC 37SD-3	4x37	4x70	1800*x1200x400	170
4SP EFC 45SD-3	4x45	4x85	1800*x1200x400	180

* Cabinet type control panel (Total height increase of 100 mm for base thickness). The dimensions may change without notice.

2SP MFC MODELS TABLE

Model	Motor power [kW]	Current [A]	Dimensions A-B-C [mm]	Weight [Kg]
2SP MFC 1,5T-3	2x1.5	2x3.7	600x400x250	34
2SP MFC 2,2T-3	2x2.2	2x5.3	600x500x250	36
2SP MFC 3T-3	2x3	2x7.2	600x500x250	39
2SP MFC 4T-3	2x4	2x9	600x500x250	39
2SP MFC 5,5T-3	2x5.5	2x12	600x500x250	44
2SP MFC 7,5T-3	2x7.5	2x15,5	600x500x250	44
2SP MFC 11T-3	2x11	2x23	1000x600x300	53
2SP MFC 15T-3	2x15	2x31	1000x600x300	53
2SP MFC 18,5T-3	2x18.5	2x37	1000x800x300	58
2SP MFC 22T-3	2x22	2x43	1000x800x300	58
2SP MFC 30T-3	2x30	2x61	1400*x1000x400	145
2SP MFC 37T-3	2x37	2x70	1600*x1000x400	170
2SP MFC 45T-3	2x45	2x85	1600*x1000x400	180

* Cabinet type control panel (Total height increase of 100 mm for base thickness). The dimensions may change without notice.

3SP MFC MODELS TABLE

Model	Motor power [kW]	Current [A]	Dimensions A-B-C [mm]	Weight [Kg]
3SP MFC 1,5T-3	3x1.5	3x3.7	600x600x250	49
3SP MFC 2,2T-3	3x2.2	3x5.3	600x600x250	49
3SP MFC 3T-3	3x3	3x7.2	800x600x250	58

Model	Motor power [kW]	Current [A]	Dimensions A-B-C [mm]	Weight [Kg]
3SP MFC 4T-3	3x4	3x9	800x600x250	58
3SP MFC 5,5T-3	3x5.5	3x12	800x600x250	63
3SP MFC 7,5T-3	3x7.5	3x15,5	800x600x250	63
3SP MFC 11T-3	3x11	3x23	1000x800x300	85
3SP MFC 15T-3	3x15	3x31	1000x800x300	85
3SP MFC 18,5T-3	3x18.5	3x37	1200x800x300	115
3SP MFC 22T-3	3x22	3x43	1200x800x400	115
3SP MFC 30T-3	3x30	3x61	1600*x1200x400	220
3SP MFC 37T-3	3x37	3x70	1600*x1200x400	220
3SP MFC 45T-3	3x45	3x85	1800*x1400x500	300

* Cabinet type control panel (Total height increase of 100 mm for base thickness).
The dimensions may change without notice.

4SP MFC MODELS TABLE

Model	Motor power [kW]	Current [A]	Dimensions A-B-C [mm]	Weight [Kg]
4SP MFC 1,5T-3	4x1.5	4x3.7	800x800x300	77
4SP MFC 2,2T-3	4x2.2	4x5.3	800x800x300	77
4SP MFC 3T-3	4x3	4x7.2	800x800x300	85
4SP MFC 4T-3	4x4	4x9	800x800x300	85
4SP MFC 5,5T-3	4x5.5	4x12	1000x800x300	95
4SP MFC 7,5T-3	4x7.5	4x15,5	1000x800x300	95
4SP MFC 11T-3	4x11	4x23	1200x800x300	120
4SP MFC 15T-3	4x15	4x31	1200x800x300	120
4SP MFC 18,5T-3	4x18.5	4x37	1400*x1000x400	145
4SP MFC 22T-3	4x22	4x43	1400*x1000x400	145
4SP MFC 30T-3	4x30	4x61	1600*x1200x400	240
4SP MFC 37T-3	4x37	4x70	1600*x1200x400	240
4SP MFC 45T-3	4x45	4x85	1800*x1400x500	440

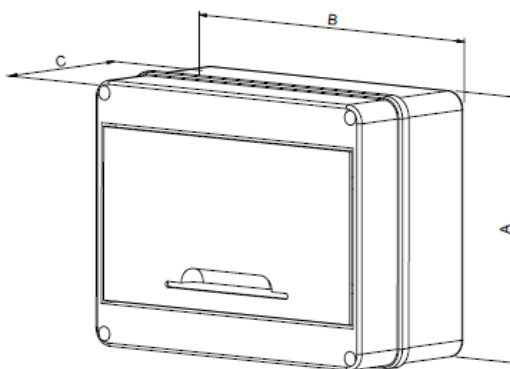
* Cabinet type control panel (Total height increase of 100 mm for base thickness).
The dimensions may change without notice.

PROTECTION PANEL SPECIFICATION

Connection box for inverter :

- Connects the inverters with the power supply point.
- Equipped with circuit breakers on individual lines

Power source	Frequency	50/60 Hz	
	Phase	Single-phase	Three-phase
	Voltage	230 V ± 10%	400 V ± 10%
	Power	0.37 ÷ 3 kW	0.37 ÷ 15 kW
Others	Protection degree	IP 55	
	Ambient Temperature	-5°C + 40°C	
	Pressurisation units	2 pumps	
	Relative humidity	50% a 40°C MAX (90% a 20°C)	
	Max altitude	1000 m (a.s.l.)	
Directives	2014/35/EU (LVD), 2014/30/EU (EMC), 2011/65/EU (RoHS II)		



Model	N° Pumps	Power [kW]	Dimensions A-B-C [mm]	Max Current [A]
PROT.IP65 2P. 3M 20A NJ	2	2x3	160x200x90	2x20
PROT.IP65 2P. 4T 16A J		2x4	200x250x110	2x16
PROT.IP65 2P. 7,5T 20A J		2x7.5	200x250x110	2x20
PROT.IP65 2P. 11T 25A J		2x11	200x250x110	2x25
PROT.IP65 2P. 15T 32A J		2x15	200x250x110	2x32
PROT.IP65 3P. 3M 20A NJ	3	3x3	160x200x90	3x20
PROT.IP65 3P. 4T 16A J		3x4	250x250x140	3x16
PROT.IP65 3P. 7,5T 20A TJ		3x7.5	250x250x140	3x20
PROT.IP65 3P. 11T 25A J		3x11	250x250x140	3x25
PROT.IP65 3P. 15T 32A J		3x15	250x250x140	3x32

The dimensions may change without notice.

811



EBARA Pumps Europe S.p.A.
Via Torri di Confine 2/1 int. C
36053 Gambellara (Vicenza), Italy
Phone +39 0444 706811
ebarapumps.epe@ebaracom
www.ebaraeurope.com

EBARA Pumps Europe S.p.A. GERMANY
Elisabeth-Selbert-Straße 2
63110 Rodgau, Germany
Phone +49 (0) 6106-660 99-0
info.epde@ebaracom

EBARA Pumps South Africa (PTY) LTD
26 Kyalami Boulevard,
Kyalami Business Park, 1684, Midrand,
Gauteng, South Africa
Phone +27 11 466 1844
ebaraeurope@ebaracom

EBARA Pumps Europe S.p.A. UK
Unit A, Park 34
Collett Way - Didcot
Oxfordshire - OX11 7WB, United Kingdom
Phone +44 1895 439027
marketing.epuk@ebaracom

EBARA Pumps Europe S.p.A. FRANCE
122, Rue Pasteur
69780 Toussieu, France
Phone: +33 04 72 76 94 82
mktg.epr@ebaracom

EBARA Pumps East Africa
Delta Corner Tower 2, 13th Floor, Office 1308,
Chiromo Road, Westlands
P.O. Box 13796-00800, Nairobi
Phone: +254(0)722913119
info.epea@ebaracom

EBARA POMPY POLSKA Sp. z o.o.
ul. Działkowa 115 A
02-234 Warszawa, Poland
Phone +48 22 3909920
marketing.epl@ebaracom

EBARA Pumps RUS Ltd.
Prospekt Andropov 18, building 7, floor 11
115432 Moscow
Phone +7 499 6830133
mktg.epr@ebaracom